



# 2021 SPECIFICATIONS



[www.CarolinaHeartwoodCabinetry.com](http://www.CarolinaHeartwoodCabinetry.com)







## Terms & Conditions

### **Order Placement**

To avoid errors, it is Carolina Heartwood Cabinetry's policy to only accept orders in writing. No verbal orders will be accepted.

The preferable method is to utilize our user-friendly Order Form. Printed order forms are also available at the back of this guide. Electronic order forms are available upon request. Please email the completed order form to [CHCorders@web-don.com](mailto:CHCorders@web-don.com) or print and fax to (704) 334-3342.

All order submissions, other than ones submitted on our provided order form, will require a signed order approval prior to finalizing the order. The customer is responsible for the accuracy of the order. Inventory will not be committed to the order until the order is approved. Changes or cancellations must be made within 2 hours of approving an order, once an order has been processed, the order is final. Changes beyond this time frame are subject to a \$100 change fee.

All changes and cancellations must be made in writing.

### **Lead Time/Flat Pack**

Orders placed before 12:00 pm will be available for pick up after 10:00 am the next business day. Orders placed after 12:00 pm will be available for pick up after 10:00 am on the second day. Any order of 5 cabinets or less can be picked up same day at our Charlotte, NC Distribution Center, located at 1400 Ameron Drive, Charlotte, NC 28206. For expedited service, please let us know when you plan to pick up your order so that we can make every effort to have it ready when you arrive. Your order can be picked up from other Web-Don warehouse locations in 2-7 days.

### **Lead Time/Assembly**

Professional assembly is available. Lead time is typically 2 weeks, although expedited service may be available, dependent upon production schedules. Please indicate on the order form if assembly is requested. Before production can begin, a signed order acknowledgement must be received from the customer. It is the customer's responsibility to reconcile the acknowledgement for accuracy. Assembled orders are non returnable/non refundable and COD customers are required to pay in full before work commencing.

### **Damaged/Missing Items**

All damaged or missing items must be reported within 24 hours of delivery and documented on the bill of lading. In the case of pick-up orders, the Customer is responsible for verifying their order prior to leaving the facility. A signed bill of lading or packing list signifies that all items have been received in a condition that is acceptable to the customer. We encourage customers to utilize Web-Don employees during the double check process.

### **Concealed Damage Claims**

Claims can be made up to 7 days after receipt of order. A signed copy of a delivery BOL or pick-up packing list and pictures are necessary to process a concealed damage claim. Concealed Damage Claims are defined as requests made beyond 24 hours after the original receipt of materials. Concealed Damage Claim costs are shared 'proportionately' between the Customer and Web-Don. Approved concealed damage claim value may not exceed 50% and replacements are provided on a 50/50 split basis. Return and replacement shipment costs are at the Customer's expense. All assembled and modified products are excluded from concealed damage claims.



## Terms & Conditions

### **Terms and Conditions**

Standard Web-Don terms and conditions will apply for all Customers with open accounts. Those Customers that wish to have an open account must submit a completed Web-Don credit application for approval. Carolina Heartwood Cabinetry orders that exceed the Customer's credit limit may require payment prior to delivery or pick-up. All other COD orders require payment in-full prior to delivery or pick-up. All special orders, regardless of account status, are committed to payment in full prior to work commencing and are non-refundable.

### **Delivery**

Delivery within the Web-Don trading area is available on a pre-defined routing schedule. Please inquire as to when we will be in your area. Delivery for assembled orders is available for a fee of \$8/box in most areas. Job site deliveries are available for \$12/box in most areas and appointments are required. Regular Web-Don delivery fees apply to all Flat Pack orders (\$25.00). The Customer is responsible for providing the necessary labor for unloading.

For net accounts all orders not picked up in 14 days will be billed to their account.

A \$125 cancellation or reload fee will be charged for pre-arranged deliveries if the customer is not available to accept and unload.

### **Third Party Shipping**

Carolina Heartwood Cabinetry will no longer ship via a third-party carrier. It is the customers responsibility to make arrangements of their own. We will not ship items that are prone to damage unless the Customer specifically takes full responsibility for the shipment in writing.

It is the customers responsibility to fully inspect all items at the time of receipt and note issues on the bill of lading when signing for these shipments. Deliveries signed for without specific notations will be considered as having been received in a condition that is acceptable to the Customer.

### **Design Assistance**

Carolina Heartwood Cabinetry offers design assistance, upon request, using 20/20 design software. Assistance is offered by appointment only, and times are limited based upon the availability of the Designer. A fee of \$200 is charged for the original design, with one revision permitted during the design review process. Additional revisions are available for \$75 each. Detailed measurements including, but not limited to, centerlines, windows, openings, ceiling heights and appliance specifications must be provided prior to the design process commencing.

### **Painting**

Carolina Heartwood Cabinetry can custom paint any of our cabinet styles. Lead times will vary based upon the size of the project.

Samples, at a charge of \$75 each, are required to be approved prior to production commencing.

Interior finishing, to match the outside of the cabinet, is also available. Custom staining is not available. It is the policy of Carolina Heartwood Cabinetry not to paint customer supplied products under any circumstances.

**All special orders, regardless of account status, requires a signed acknowledgement and non-refundable payment in full prior to work commencing.**



## Terms & Conditions

### Customization

Carolina Heartwood Cabinetry provides many customization services, including prepping for glass (glass not included) and reduced depth. All special orders, regardless of account status, require payment in full prior to work commencing and are non-refundable.

ITEM#	NET COST	DESCRIPTION
C-PFG	\$50	Prep Single Door or Decorative End Panel (any Size) for Glass
C-SPT	\$50	Split Decorative Leg in Half
C-FXB	\$35	Base Modification to accept Farmhouse sink (Base Cabinet sold separately)
C-RDW36	\$65	Reduce Depth of Wall Cabinet 36" tall or shorter-Single Door
C-RDW42	\$75	Reduce Depth of 42" tall Wall Cabinet
C-RDUTL	\$95	Reduce Depth of any size Utility

**Note-Increased Depths and any other requested modifications are subject to case by case pricing. Please email detailed request to CHC Customer Service.**

ITEM#	NET COST	DESCRIPTION
C-FIW36S	\$150	Finish Interior of Wall Cabinet 36" tall or shorter-Single Door
C-FIW36D	\$225	Finish Interior of Wall Cabinet 36" tall or shorter-Double Door
C-FIW42S	\$185	Finish Interior of 42" tall Wall Cabinet of Utility (upper section)-Single Door
C-FIW42D	\$270	Finish Interior of 42" tall Wall Cabinet of Utility (upper section)-Double Door

**Note-All other Finish Interior Options and Finishing of Custom or Customer Provided Parts are subject to case by case pricing. Please email detailed request to CHC Customer Service.**

ITEM#	NET COST	DESCRIPTION
C-SAMDR	\$75	Custom Color Sample Door-Signed Approval Required to release custom color order.
C-DRWG	\$200	20/20 Design & Drawing- Single Page (One Revision included in fee)
C-DREV	\$75	20/20 Design & Drawing- Each additional Revision

**Note-These charges will be generated as a separate Sales Order from the Cabinet Quote and must be paid in full (by any non-credit based account) before any purchased cabinetry will be released. Also, additional new Drawing & Design services will not be rendered if previous services are unpaid)**



# Warranty and Returns

## **COVERAGE**

Carolina Heartwood Cabinetry (CHC) warrants that all its products will be free from defects in material and workmanship for a period of one year from the date of purchase.

This limited warranty applies only to the use of our products in a normal residential application. Defects are defined as any imperfection that may prohibit the use of the cabinet or that do not measure up to our quality standards. This warranty applies to the original owner and is non-transferable.

## **DISCLAIMERS**

Defects do not include items beyond our reasonable control, including but not limited to the following:

*Wood and Color Variations.* Natural variations in the color, textures and grain of the wood used to manufacture our cabinets as well as changes in the color of the wood caused by the aging process of the wood material are not considered defects.

*Wood Doors.* Changes to wooden doors caused by changes in humidity and temperature are not considered defects. Door warpage of up to 1/4" shall not be considered a defect.

*Painted Finishes.* Changes (such as finish stress lines) caused using natural woods (such as birch) or by changes in humidity, and temperature are not considered defects.

*Finish Enhancements.* Glazing and other finish enhancements such as Brush Strokes, Distressing, and Rub Through are applied by hand, and will have their own unique personality and character. These finishes may vary from item to item, resulting in variations in color, texture, and finish. These types of variations are not considered defects.

Defects or damage caused by improper assembly, intentional damage, misuse, modifications, exposure to the elements, accident, or negligence on the part of persons other than Carolina Heartwood Cabinetry is not covered by this limited warranty.

Carolina Heartwood Cabinetry reserves the right to discontinue or modify any of its products without notice and shall not be liable for providing warranty replacements in the event of such discontinuance. If Carolina Heartwood Cabinetry replaces any product under this warranty, it may substitute parts of products deemed by Carolina Heartwood Cabinetry to be of comparable quality or price in the event the parts or products initially purchased have been discontinued.



# Warranty and Returns

## **EXCLUSIONS**

Carolina Heartwood Cabinetry's obligation under this warranty is limited to the replacement or repair of the defective cabinets or component parts, at our discretion. This limited warranty does not include service, labor or transportation charges related to the removal or installation of the defective or replacement parts regardless of whether the work was performed by customers or by a contractor, service company or consumer. This limited warranty does not apply to any products used in conjunction with the cabinetry, such as countertops, appliances, or plumbing fixtures.

## **CLAIMS POLICY**

All products must be inspected upon receipt for damage. ***Claims for damages not related to manufacturing defects must be submitted in writing within 7 business days of receipt of product and must be in the original packaging.*** Claims submitted after 7 business days that are not found to be manufacturing related or in the original packaging, may be denied. Freight claims for noticeable damage or shortages must be notated on the bill of lading at the time of delivery. To submit a claim, all documentation including pictures of the damage, proof of purchase and order numbers must be provided. We will work to handle all claims as quickly as possible however it could take up to 14 business days to be resolved.

## **RETURNS POLICY**

Product may be returned with a 25% restocking fee if the following criteria is met:

- The product is not assembled (flat pack only)
- The return is initiated within 30 days of invoice date
- The product is not damaged and is in original packaging
- Customer is responsible for freight charges related to return
- Will not be accepted with out a valid RMA (Return Material Authorization)
- Assembled or modified products can not be returned



## Use and Care Instructions

Carolina Heartwood Cabinetry (CHC) recommends the use of a soft cloth, slightly dampened with a mild solution of detergent and water, to clean our products. The products should be dried promptly and thoroughly with a clean, soft towel. Cleaning solutions can be hazardous to the finishes on wood products. Although the finishes on Carolina Heartwood Cabinetry (CHC) products are resistant to normal household chemicals, prolonged usage may cause a discoloration and/or dulling of the finish.

Under no circumstances should cleaners with ammonia or abrasive substances be used. Cleaners with ammonia in them will leave a permanent white haze or streaks in the finish. Furniture polish may be used, but is not recommended. Some of the more popular brands of polish will actually soften the finish over time.

Should an inappropriate cleaning solution, polish, wax or process be used on your cabinets, Carolina Heartwood Cabinetry (CHC) will not be held liable for any finish damages incurred.

Over time, hinges and drawer guides may come out of adjustment. This is a normal occurrence of daily use and not considered a defect or warranty issue. Carolina Heartwood Cabinetry (CHC) recommends that the end user of our products familiarize themselves with the operation and adjustment capabilities of the hardware and include this in their routine maintenance.



# The Florence



## Features

- Ultra White Paint
- Solid Wood Door Frame with Flat Center Panel
- Full Overlay Doors
- Five Piece Drawer Front
- Dovetailed Drawer Box
- Under-mount Full Extension Soft Close Drawer Guides
- Soft Close Doors
- 1/2" Plywood Box Construction
- 1 1/2" X 3/4" Solid Wood Front Frames
- 3/4" Adjustable Plywood Shelves
- Quick release drawers for ease of adjustment and cleaning

\*Additional Door Styles & Colors Available Upon Request (full container only)\*  
\*name denotes finish\*

# The Asheville



## Features

- Ash Grey Paint
- Solid Wood Door Frame with Flat Center Panel
- Full Overlay Doors
- Five Piece Drawer Front
- Dovetailed Drawer Box
- Under-mount Full Extension Soft Close Drawer Guides
- 1/2" Plywood Box Construction
- 1 1/2" X 3/4" Solid Wood Front Frames
- 3/4" Adjustable Plywood Shelves
- Soft Close Doors
- Quick release drawers for ease of adjustment and cleaning

\*Additional Door Styles & Colors Available Upon Request (full container only)\*  
 \*name denotes finish\*

# The New Bern

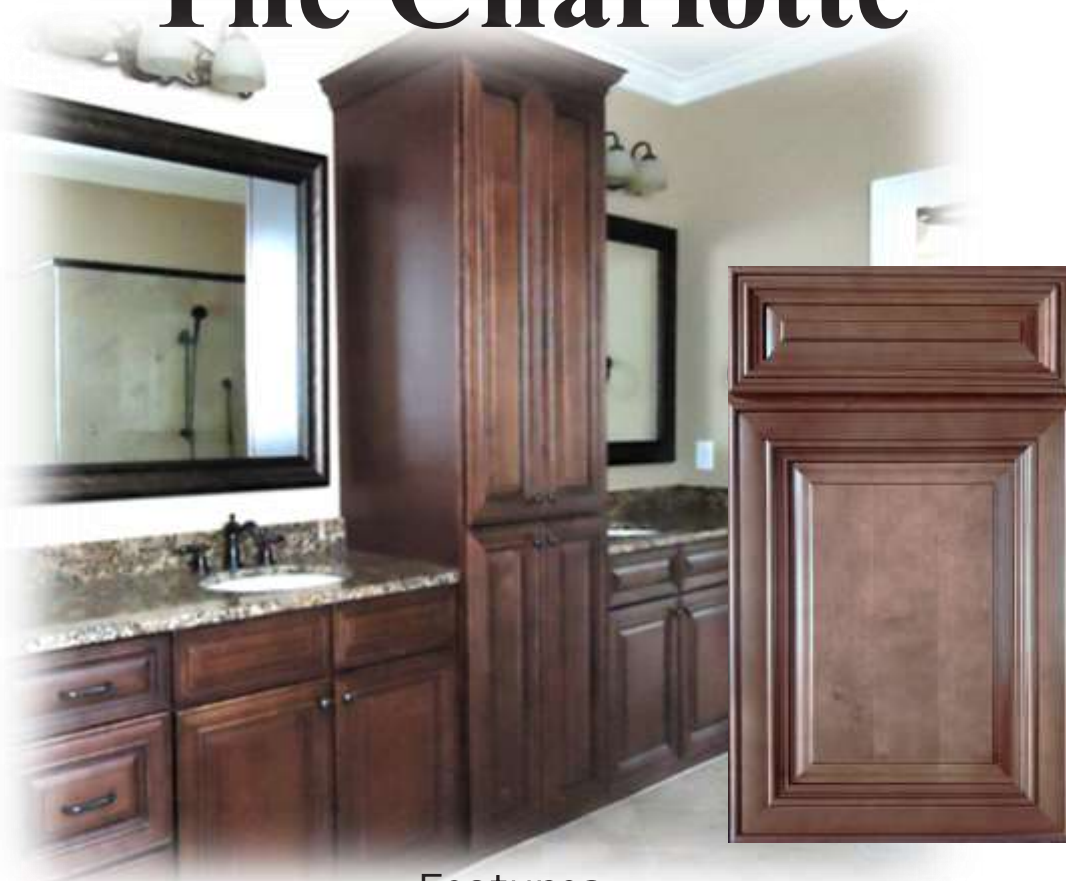


## Features

- Creamy Pearl White
- Full Overlay Classic Miter
- Solid Wood Raised Door Panel with MDF Center Panel
- Five Piece Drawer Front
- Dovetailed Drawer Box
- Under-mount Full Extension Soft Close Drawer Guides
- Soft Close Doors
- 1/2" Plywood Box Construction
- 1 1/2" X 3/4" Solid Wood Front Frames
- 3/4" Adjustable Plywood Shelves
- Quick release drawers for ease of adjustment and cleaning

\*Additional Door Styles & Colors Available Upon Request (full container only)\*  
\*name denotes finish\*

# The Charlotte



## Features

- Mocha Java Color Stain with Dark Charcoal Glaze
- Full Overlay Classic Miter
- Solid Wood Raised Door Panel
- Five Piece Drawer Front
- Dovetailed Drawer Box
- Under-mount Full Extension Soft Close Drawer Guides
- Soft Close Doors
- 1/2" Plywood Box Construction
- 1 1/2" X 3/4" Solid Wood Front Frames
- 3/4" Adjustable Plywood Shelves
- Quick release drawers for ease of adjustment and cleaning

\*Additional Door Styles & Colors Available Upon Request (full container only)\*  
 \*Name denotes finish\*



### Cabinet Construction Guide

1-1/2" X 3/4" solid hard-wood center face frame mor-tised, tenoned, and glued

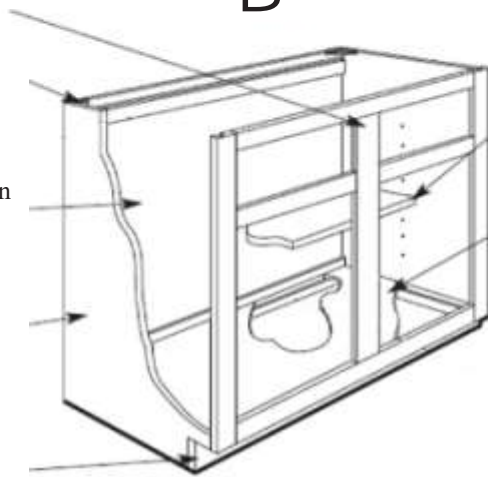
Solid wood corner braces screwed into side and face frame

1/2" plywood back panel can be used as hanging rail

1/2" UV Natural plywood sides

4-1/2" high toe kick cut-out with 1/2" pre-finished ply-wood toe board

#### BASE



3/4" adjustable plywood shelf edge banded with locking plastic shelf clips.

1/2" plywood bottom

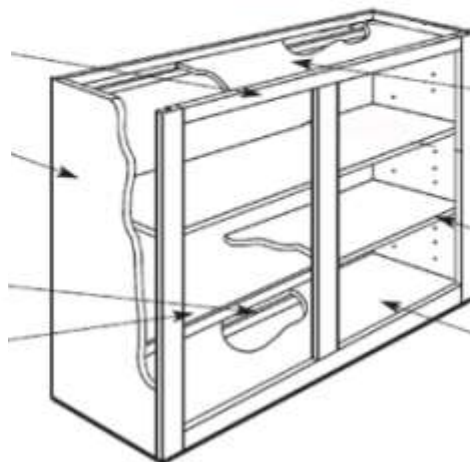
1-1/2" x 3/4" solid hard wood face frame

1/2" UV Natural plywood sides

1/2" plywood back acts as a hanging rail

Interior is UV finished natu-ral birch plywood

#### W<sup>ALL</sup>



1/2" plywood top

3/4" adjustable plywood shelf

1/2" plywood bottom

Drawer Boxes (not pictured) are 5/8" dove tailed drawer boxes with full extension soft close drawer guides that will accom-  
modate a 75 lb. weight capacity.



Item Description

W (inches)

H (inches)

D (inches)

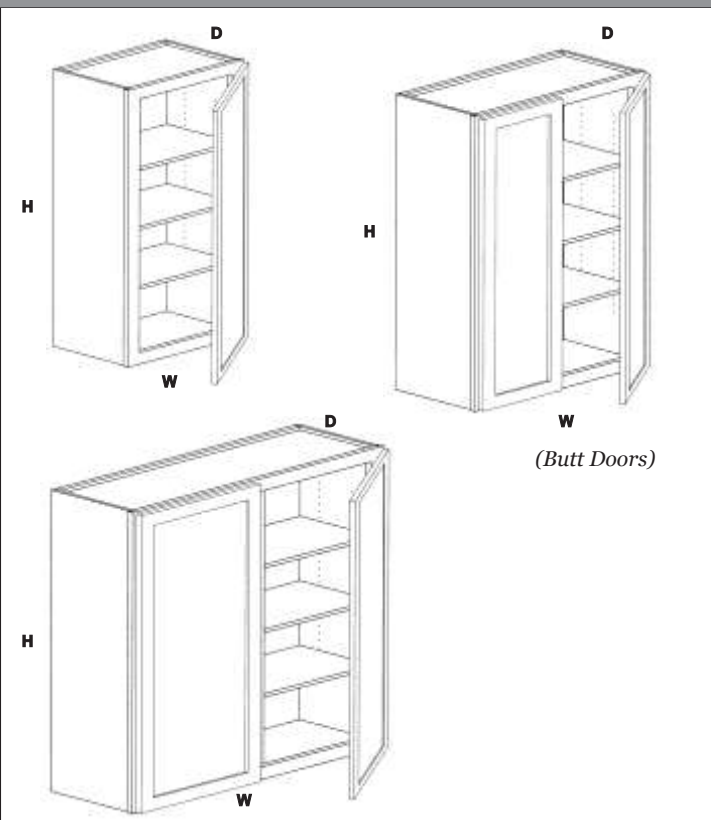
Charlotte

New Bern

Florence

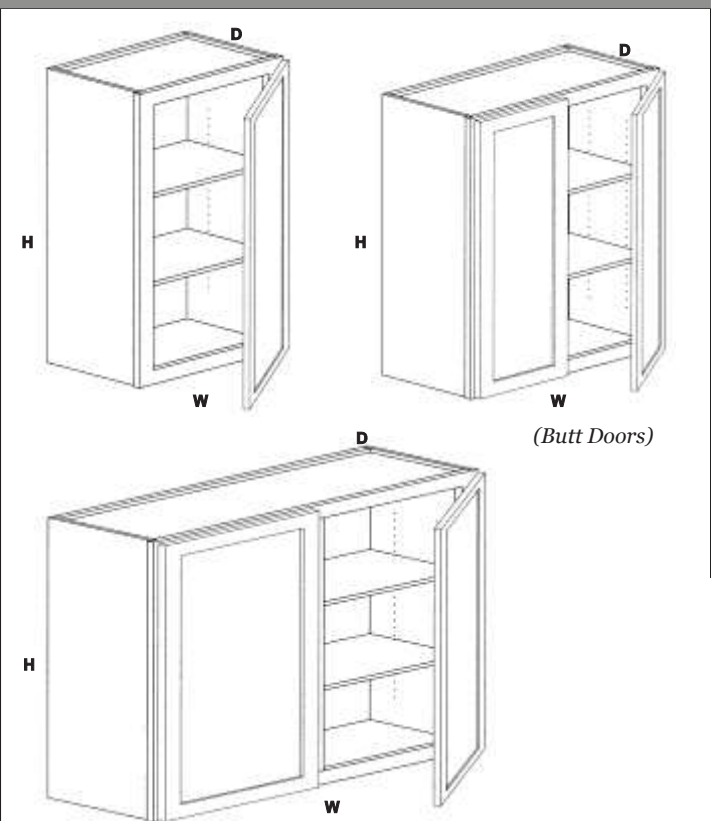
Asheville

42" HIGH WALL



W942	9	42	12	249	249	244	244
W1242	12	42	12	288	288	281	281
W1542	15	42	12	329	329	319	319
W1842	18	42	12	368	368	356	356
W2142	21	42	12	411	411	396	396
W2442BD	24	42	12	450	450	433	433
W2742BD	27	42	12	500	500	480	480
W3042	30	42	12	539	539	517	517
W3342	33	42	12	579	579	554	554
W3642	36	42	12	619	619	592	592
W3942	39	42	12	697	697	639	639
W4242	42	42	12	748	748	671	671

36" HIGH WALL



W936	9	36	12	198	198	193	193
W1236	12	36	12	232	232	225	225
W1536	15	36	12	266	266	257	257
W1836	18	36	12	298	298	288	288
W2136	21	36	12	328	328	318	318
W2436BD	24	36	12	370	370	348	348
W2736BD	27	36	12	436	436	418	418
W3036	30	36	12	444	444	425	425
W3336	33	36	12	478	478	456	456
W3636	36	36	12	510	510	487	487
W3936	39	36	12	602	602	538	538
W4236	42	36	12	654	654	585	585



Item Description

W (inches)

H (inches)

D (inches)

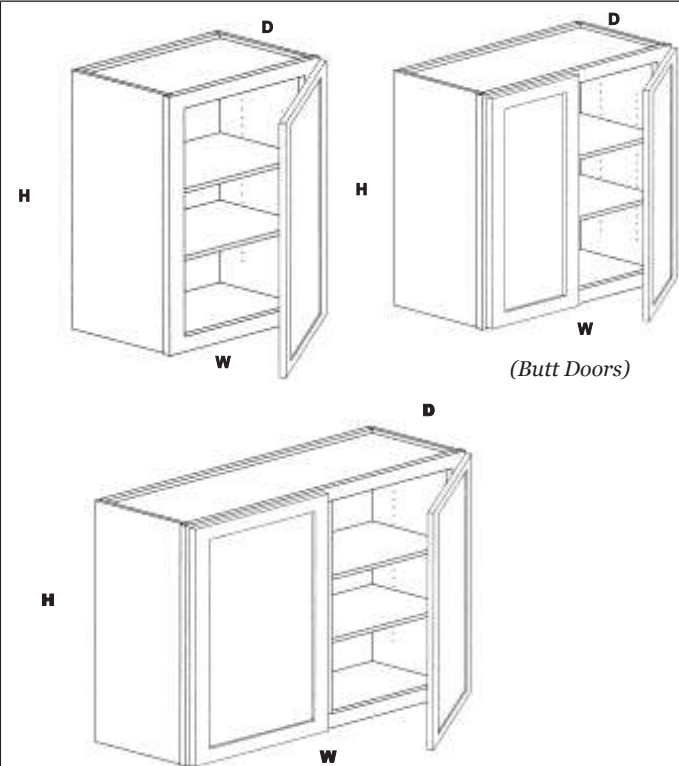
Charlotte

New Bern

Florence

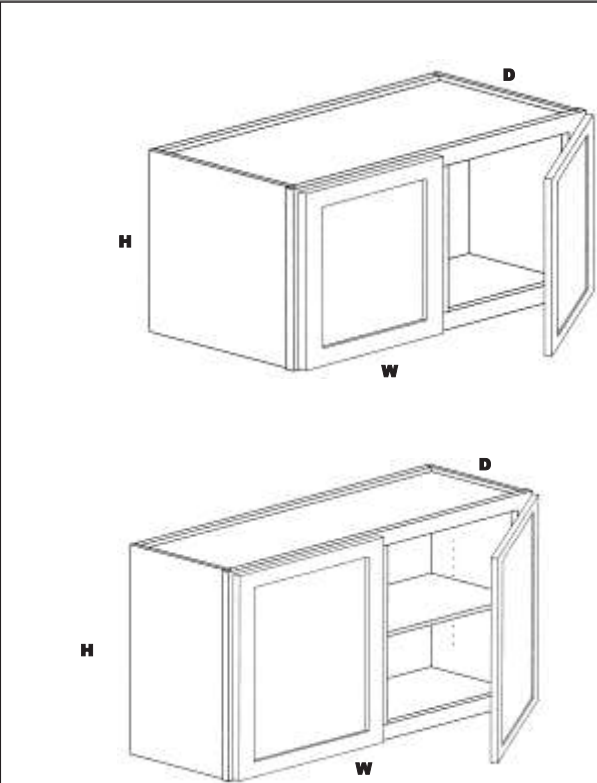
Asheville

30" HIGH WALL



W930	9	30	12	177	177	173	173
W1230	12	30	12	207	207	201	201
W1530	15	30	12	236	236	228	228
W1830	18	30	12	265	265	257	257
W2130	21	30	12	294	294	283	283
W2430BD	24	30	12	328	328	315	315
W2730BD	27	30	12	355	355	341	341
W3030	30	30	12	392	392	376	376
W3330	33	30	12	422	422	403	403
W3630	36	30	12	450	450	431	431
W3930	39	30	12	480	480	458	458
W4230	42	30	12	509	509	486	486

12", 15", 18", 24" HIGH WALL

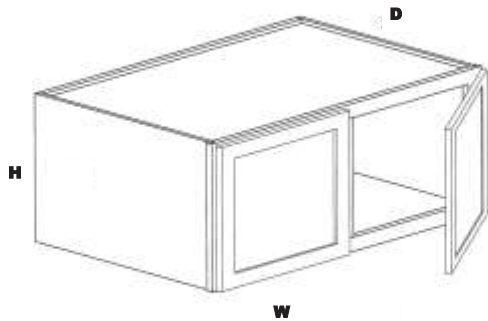


W3012	30	12	12	197	197	189	189
W3312	33	12	12	221	221	202	202
W3612	36	12	12	223	223	214	214
W3912	39	12	12	236	236	226	226
W3015	30	15	12	224	224	214	214
W3315	33	15	12	249	249	228	228
W3615	36	15	12	252	252	242	242
W3915	39	15	12	268	268	257	257
W3018	30	18	12	249	249	238	238
W3318	33	18	12	268	268	254	254
W3618	36	18	12	283	283	269	269
W3918	39	18	12	286	286	299	299
W3024	30	24	12	321	321	306	306
W3324	33	24	12	360	360	328	328
W3624	36	24	12	367	367	350	350
W3924	39	24	12	390	390	372	372



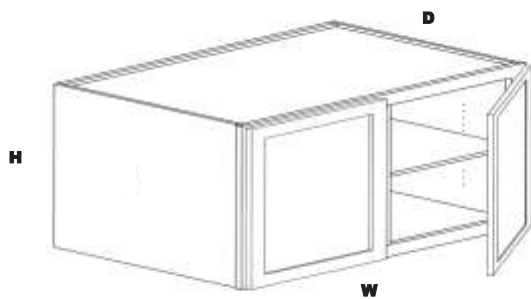
Item Description	W (inches)	H (inches)	D (inches)	Charlotte	New Bern	Florence	Asheville
------------------	------------	------------	------------	-----------	----------	----------	-----------

**24" DEEP WALL**



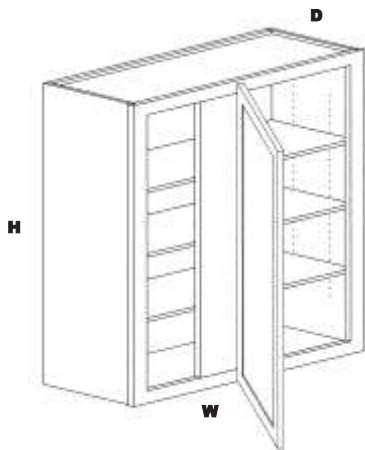
W331224	33	12	24	276	276	258	258
W361224	36	12	24	294	294	275	275
W331524	33	15	24	315	315	291	291
W361524	36	15	24	315	315	305	305
W391524	39	15	24	333	333	324	324
W331824	33	18	24	336	336	312	312
W361824	36	18	24	348	348	338	338
W391824	39	18	24	366	366	355	355

**24" DEEP WALL**



W332424	33	24	24	465	465	432	432
W362424	36	24	24	467	467	456	456
W392424	39	24	24	496	496	483	483

**42" HIGH WALL BLIND CORNER**



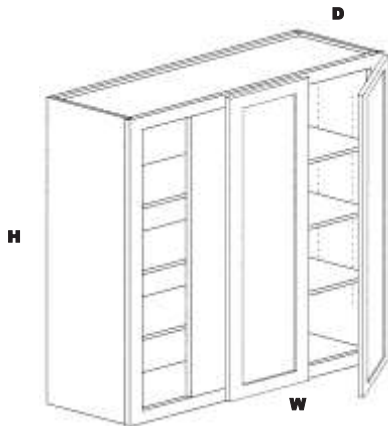
**3042 Door Spaln- 17 1/2 W x 41H**

WBC3042*	30	42	12	453	453	437	437
WBC3642**	36	42	12	536	536	517	517

Cabinet may have Blind Left or Blind Right doors-Blind Left is standard

**\*30"W- Can be pulled to 34 1/8"  
Must be pulled to at least 31 1/4"**

**\*\*36"W--Can be pulled to 40 1/8"  
Must be pulled to at least 37 1/4"**



**3642 Door Spaln- 11 5/8 W x 41H**





Item Description

W (inches)

H (inches)

D (inches)

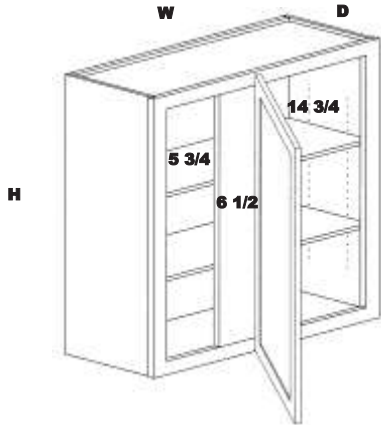
Charlotte

New Bern

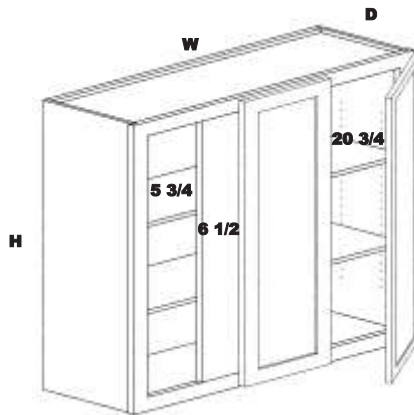
Florence

Asheville

36" HIGH WALL BLIND CORNER



D3036 Door Spaln- 17 1/2 W x 35H



3636 Door Spaln 2- 11 5/8 W x 35H

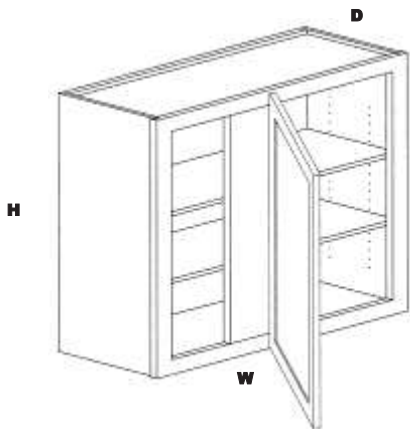
WBC3036*	30	36	12	389	389	375	375
WBC3636**	36	36	12	461	461	443	443

Cabinet may have Blind Left or Blind Right doors– Blind Right is Standard

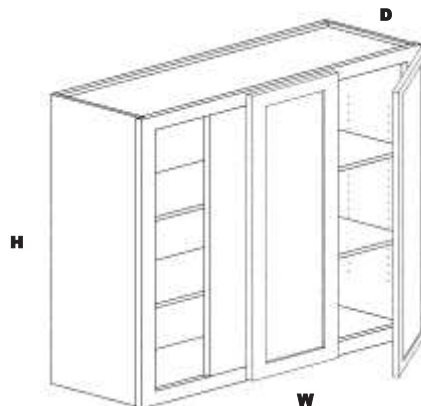
\*30"W– Can be pulled to 34 1/8"  
Must be pulled to at least 31 1/4"

\*\*36"W--Can be pulled to 40 1/8"  
Must be pulled to at least 37 1/4"

30" HIGH WALL BLIND CORNER



3030 Door Spaln - - 17 1/2 W x 29H



36302) Door Spaln - - 11 5/8 W x 29H

WBC3030*	30	30	12	346	346	335	335
WBC3630**	36	30	12	408	408	395	395

Cabinet may have Blind Left or Blind Right doors– Blind Left is Standard

\*30"W– Can be pulled to 34 1/8"  
Must be pulled to at least 31 1/4"

\*\*36"W--Can be pulled to 40 1/8"  
Must be pulled to at least 37 1/4"



Item Description

W (inches)

H (inches)

D (inches)

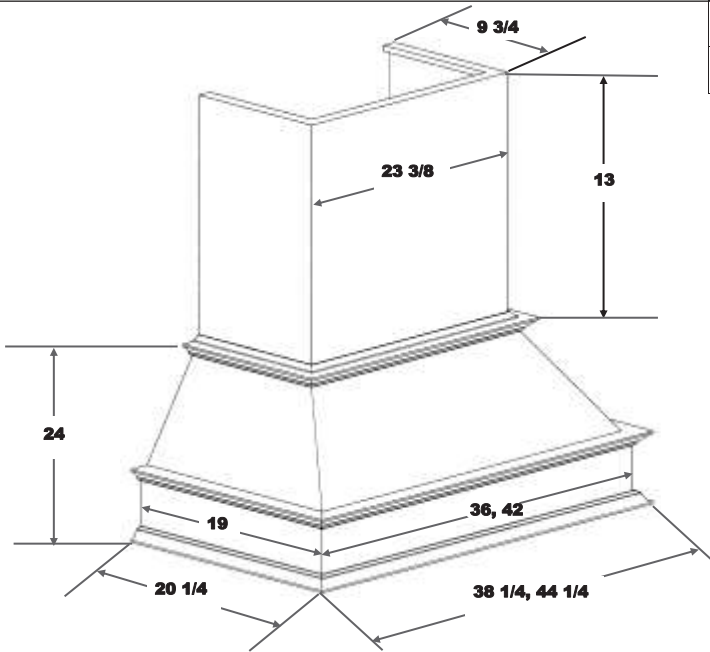
Charlotte

New Bern

Florence

Asheville

DECORATIVE WOOD HOOD

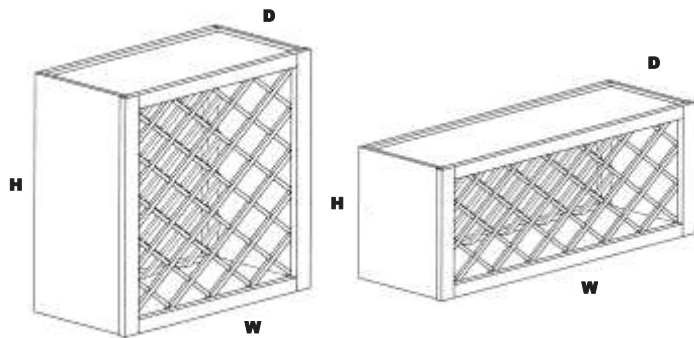


DWH36	38.25	37	20.25	2544	2544	2486	2485
DWH42	44.25	37	20.25	3052	3052	3019	3019

*Special Order Only  
2-3 week lead time*

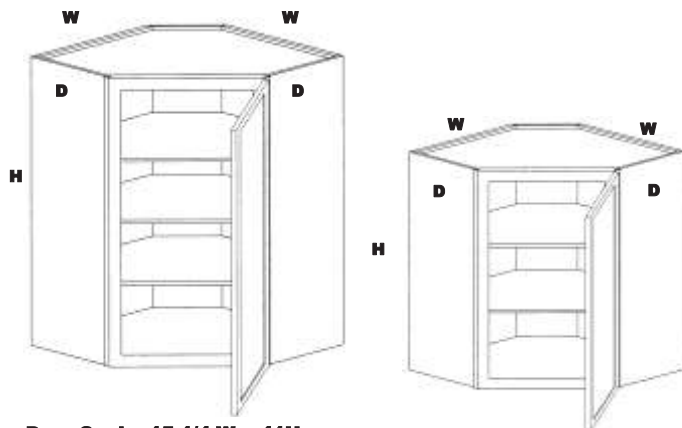
\* Does not include Liner or Blower insert.

WINE RACK CABINETS



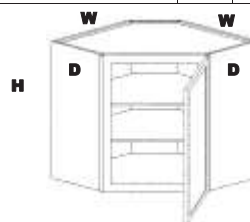
WRC2430	24	30	12	176	176	174	174
WRC3618	36	18	12	168	168	166	166

DIAGONAL CORNER WALL



Door Spaln- 15 1/4 W x 41H

Door Spaln- 15 1/4 W x 35H



Door Spaln-15 1/4 W x 29H

DCW2430	24	30	12	393	393	390	390
DCW2436	24	36	12	437	437	432	432
DCW2442	24	42	12	513	513	508	508
DCW273015	27	30	15	445	445	441	441
DCW273615	27	36	15	493	493	484	484
DCW274215	27	42	15	584	584	576	576



Item Description

W (inches)

H (inches)

D (inches)

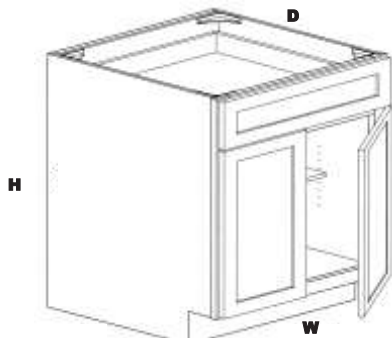
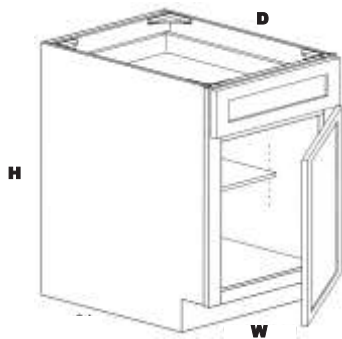
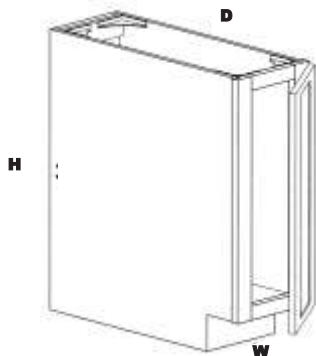
Charlotte

New Bern

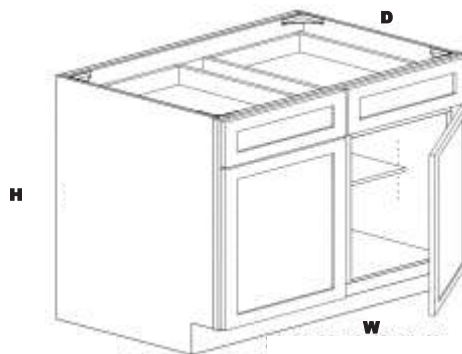
Florence

Asheville

BASE

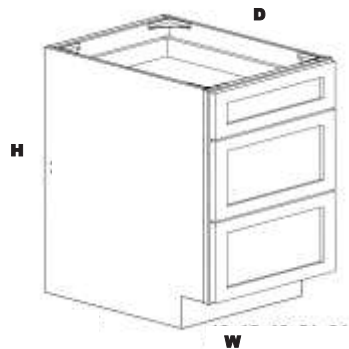


(Butt Doors)



BFHD9	9	34.5	24	220	220	214	214
B12	12	34.5	24	360	360	353	353
B15	15	34.5	24	393	393	389	389
B18	18	34.5	24	427	427	418	418
B21	21	34.5	24	461	461	448	448
B24BD	24	34.5	24	499	499	484	484
B27BD	27	34.5	24	533	533	516	516
B30	30	34.5	24	662	662	644	644
B33	33	34.5	24	696	696	677	677
B36	36	34.5	24	730	730	708	708
B39	39	34.5	24	763	763	739	739
B42	42	34.5	24	798	798	772	772

DRAWER BASE



3DB12	12	34.5	24	581	581	574	574
3DB15	15	34.5	24	654	654	649	649
3DB18	18	34.5	24	701	701	695	695
3DB21	21	34.5	24	746	746	738	738
3DB24	24	34.5	24	793	793	784	784
3DB27	27	34.5	24	839	839	827	827
3DB30	30	34.5	24	885	885	872	872
3DB36	36	34.5	24	976	976	959	959



Item Description

W (inches)

H (inches)

D (inches)

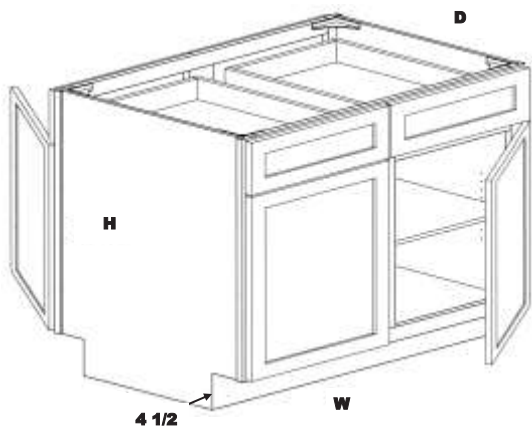
Charlotte

New Bern

Florence

Asheville

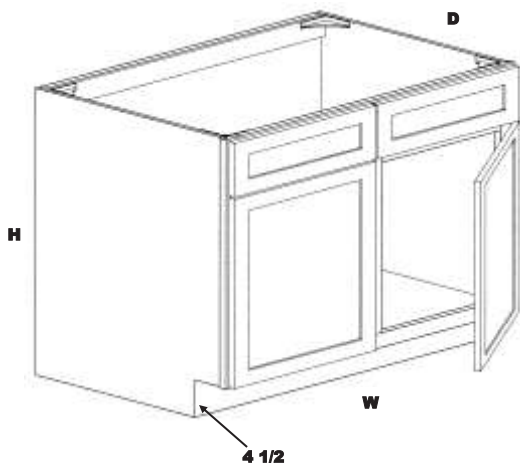
**PENINSULA BASE**



PB36	36	34.5	24	942	942	889	889
------	----	------	----	-----	-----	-----	-----

NOTE: Drawers operational from one side only.  
(Full shelf width in this cabinet.)

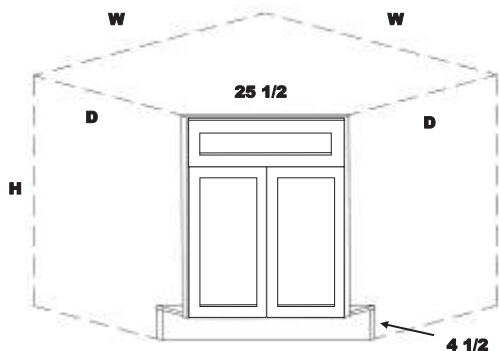
**SINK BASE**



SB30	30	34.5	24	498	498	461	461
SB33	33	34.5	24	531	531	491	491
SB36	36	34.5	24	564	564	520	520
SB42	42	34.5	24	579	579	628	628

Cabinets can be modified to accept a farmhouse sink by requesting FXB option.

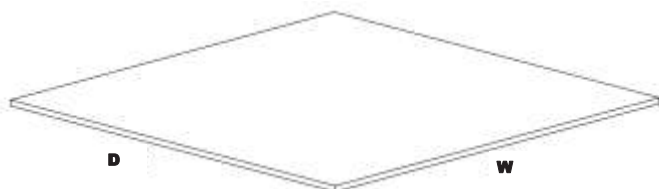
**DIAGONAL CORNER SINK FRONTS**



DSF42	42	34.5	24	227	227	192	192
-------	----	------	----	-----	-----	-----	-----

Note: Cabinet must have fillers on both sides of cabinet and requires sink base floor listed below.

**DIAGONAL SINK FLOOR**



SFF4242	42	n/a	42	143	143	143	143
---------	----	-----	----	-----	-----	-----	-----

1/2" thick UV finish Plywood



Item Description

W (inches)

H (inches)

D (inches)

Charlotte

New Bern

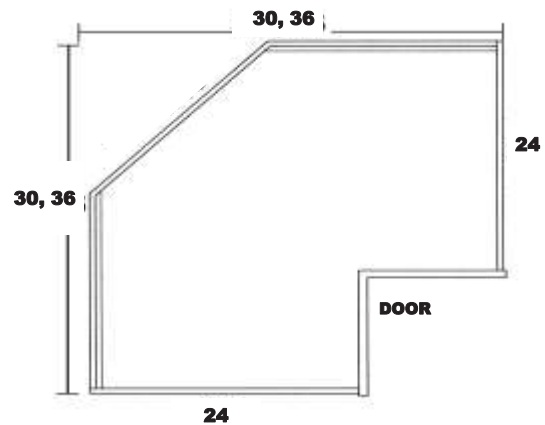
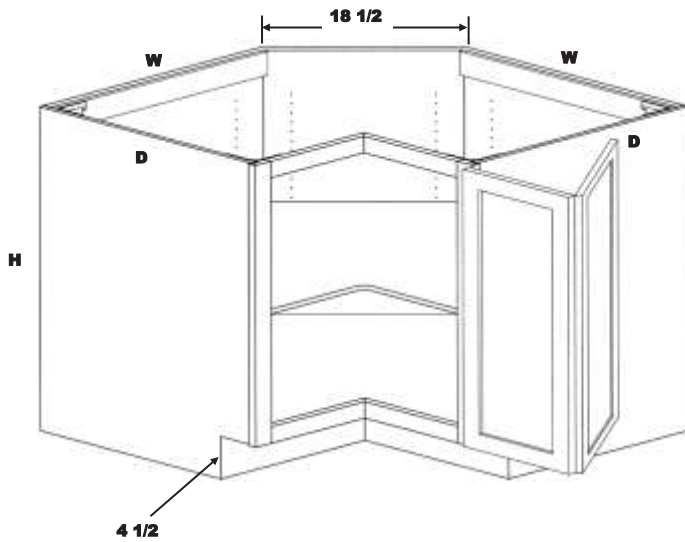
Florence

Asheville

CORNER BASE

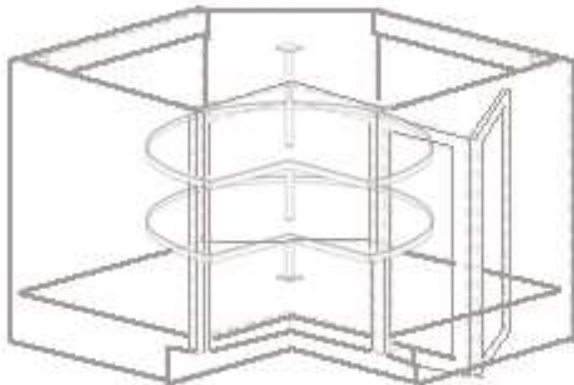
CB33 w/shelf	33	34.5	24	494	494	487	487
CB36 w/shelf	36	34.5	24	564	564	553	553

Hinged Right is standard, please note if to be hinged Left.



CORNER BASE LAZY SUSAN

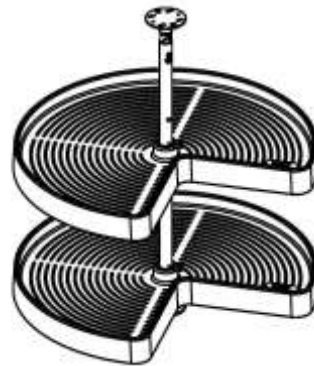
LSPOLY28/2	n/a	n/a	n/a	364	364	364	364
LSWOOD28/2	n/a	n/a	n/a	834	834	834	834



**\*Prices are for mechanisms only.**  
 Choice of White Polymer or Natural Wood.  
 Fits CB33 and CB36 (shown above)  
 CABINET SOLD SEPARATELY

Plastic

Wood



28" Diameter



Item Description

W (inches)

H (inches)

D (inches)

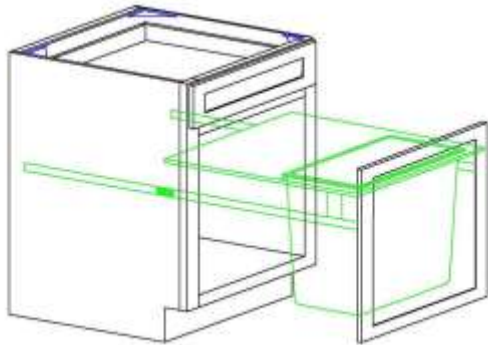
Charlotte

New Bern

Florence

Asheville

**BASE WASTEBASKET**



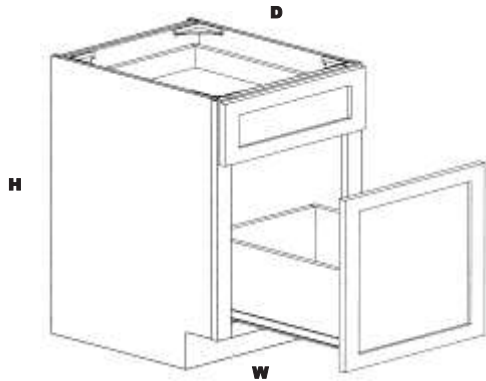
*WB15W	n/a	n/a	n/a	628	628	628	628
**WB18W-2	n/a	n/a	n/a	660	660	660	660

\*Price includes single 35 QT top mount waste container.  
Natural Wood Container Support Frame  
Fits Base 15 cabinet

\*\*Price includes two 35QT top mount waste containers.  
Natural Wood Container Support Frame  
Fits Base 18 cabinet ONLY

**Pricing is for waste container and hardware ONLY**  
**CABINET SOLD SEPARATELY**

**FILE DRAWER**



FD18	18	29	21	486	486	477	477
------	----	----	----	-----	-----	-----	-----

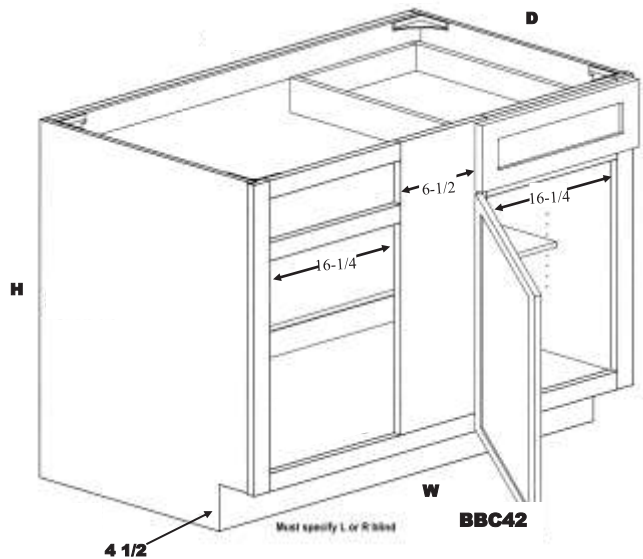
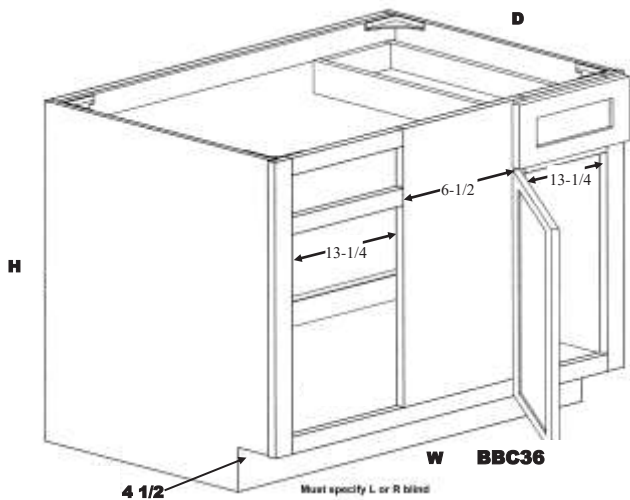
File Hanging Rack Not Included

**BASE BLIND CABINET**

BBC36- Can be pulled to a maximum 44-7/8  
Must be pulled to at least 41  
BBC42- Can be pulled to a maximum 47-1/2  
Must be pulled to at least 44

BBC36*	36	34.5	24	493	493	467	467
BBC42***	42	34.5	24	605	605	574	574

Blind Left Standard, please note if to be Blind Right





Item Description

W (inches)

H (inches)

D (inches)

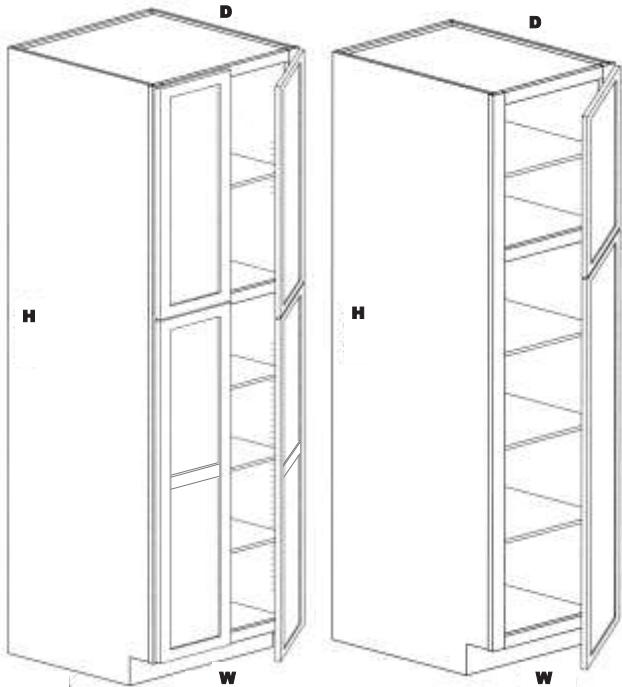
Charlotte

New Bern

Florence

Asheville

UTILITY



U188424	18	84	24	868	868	809	809
U248424BD	24	84	24	1092	1092	1078	1078
U308424BD	30	84	24	1317	1317	1282	1282
U189024	18	90	24	917	917	895	895
U249024BD	24	90	24	1154	1154	1136	1136
U309024BD	30	90	24	1391	1391	1372	1372
U189624	18	96	24	968	968	940	940
U249624BD	24	96	24	1216	1216	1197	1197
U309624BD	30	96	24	1464	1464	1396	1396

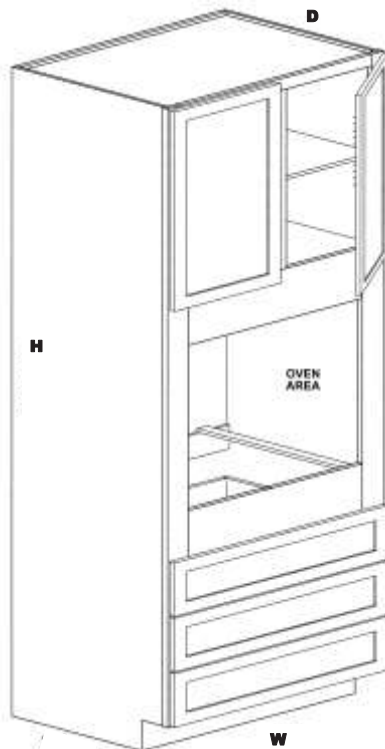
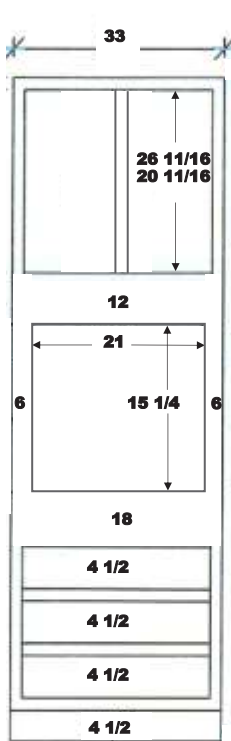
\*Toe kick integrated into cabinet

84 high-four full depth shelves  
 90 high-four full depth shelves  
 96 high-five full depth shelves

OVEN

Oven Specifications

O338424	33	84	24	1589	1589	1538	1538
O339024	33	90	24	1672	1672	1639	1639
O339624	33	96	24	1731	1731	1694	1694



Two Doors-16 1/8" x 29"—96"H  
 16 1/8" x 23"—90"H  
 16 1/8" x 17"—84"H  
 Three Drawer Fronts- 32 1/2" x 6 1/4"



Item Description

W (inches)

H (inches)

D (inches)

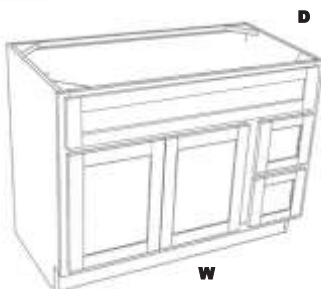
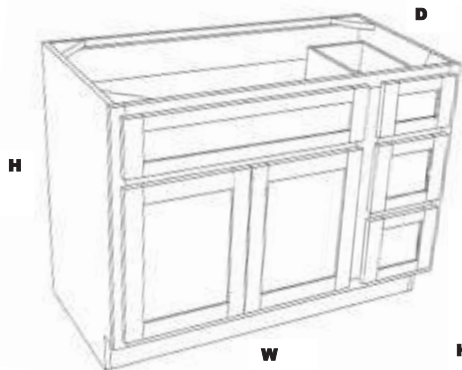
Charlotte

New Bern

Florence

Asheville

**VANITY SINK BASE 36" & 42" DRAWERS LEFT OR RIGHT COMBO**

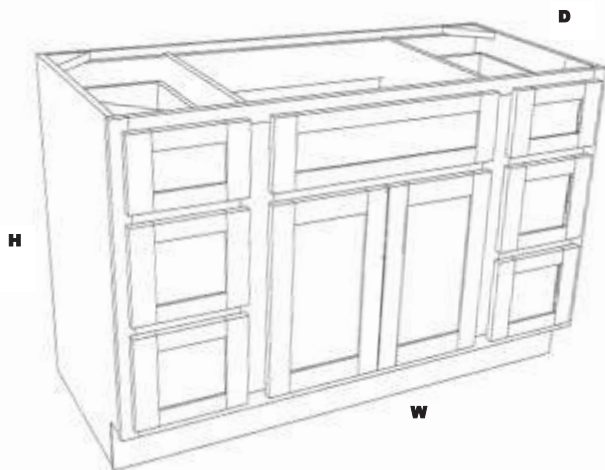


VSB36DL	36	34.5	21	786	786	741	741
VSB36DR	36	34.5	21	786	786	741	741
VSB42DL	42	34.5	21	1000	1000	951	951
VSB42DR	42	34.5	21	1000	1000	951	951

UV Natural Sides. 1/4" Skin Required

\*\*\* 12" drawer widths\*\*\*

**VANITY SINK BASE 48" DRAWERS LEFT & RIGHT COMBO**

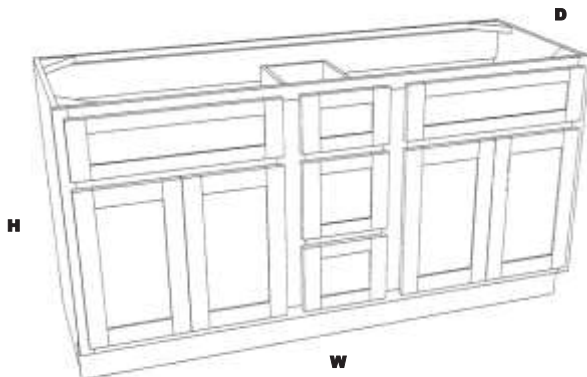


VSB48DLR	48	34.5	21	1383	1383	1319	1319
----------	----	------	----	------	------	------	------

UV Natural Sides. 1/4" Skin Required

\*\*\* 12" drawer widths\*\*\*

**VANITY SINK BASE 60" DRAWERS CENTERED COMBO**



VSB60DC	60	34.5	21	1475	1475	1400	1400
---------	----	------	----	------	------	------	------

UV Natural Sides. 1/4" Skin Required

\*\*\* 12" drawer widths\*\*\*





Item Description

W (inches)

H (inches)

D (inches)

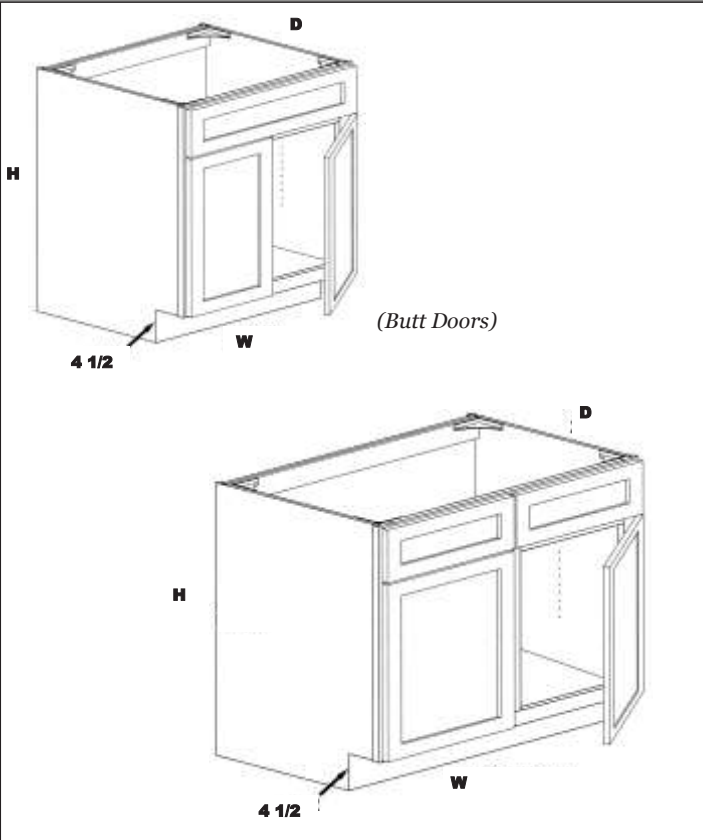
Charlotte

New Bern

Florence

Asheville

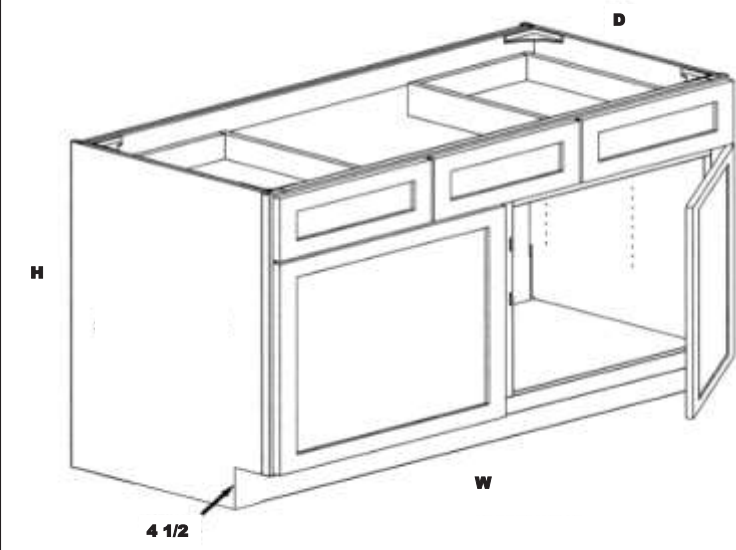
VANITY SINK



VS2434BD	24	34.5	21	340	340	323	323
VS2734BD	27	34.5	21	367	367	348	348
VS3034	30	34.5	21	399	399	376	376
VS3334	33	34.5	21	425	425	401	401
VS3634	36	34.5	21	450	450	425	425
VS4234	42	34.5	21	567	567	536	536

VANITY SINK DRAWER

VSD3634	36	34.5	21	626	626	602	602
VSD4234	42	34.5	21	682	682	655	655
VSD4834	48	34.5	21	743	743	713	713



Drawer Opening Widths

- VSD36- 5 3/4" - 13 1/4" - 5 3/4"
- VSD42- 7 1/4" - 16 1/4" - 7 1/4"
- VSD48- 10 1/4" - 16 1/4" - 10 1/4"



Item Description

W (inches)

H (inches)

D (inches)

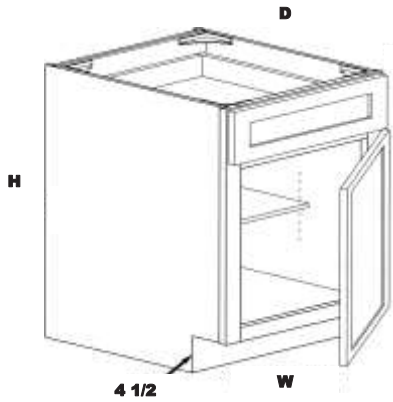
Charlotte

New Bern

Florence

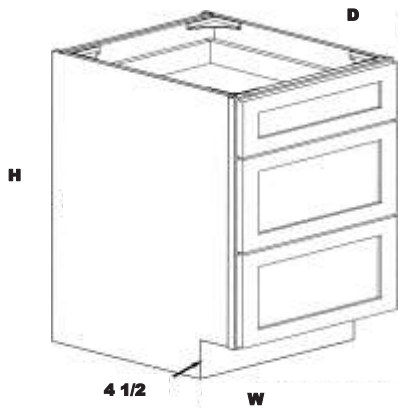
Asheville

VANITY BASE



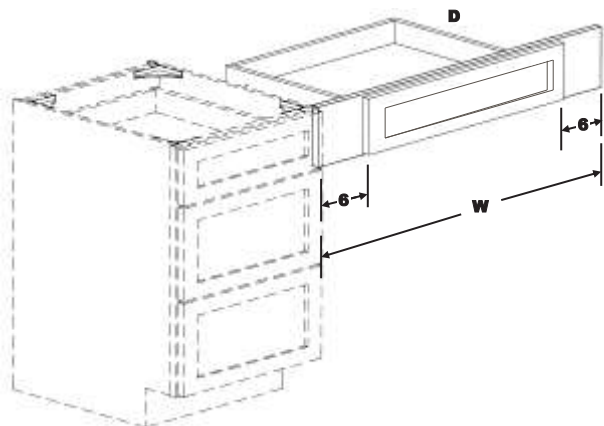
VB1234	12	34.5	21	339	339	333	333
VB1534	15	34.5	21	372	372	364	364
VB1834	18	34.5	21	404	404	394	394
VB2134	21	34.5	21	471	471	444	444

VANITY DRAWER BASE



3VDB1234	12	34.5	21	586	586	581	581
3VDB1534	15	34.5	21	629	629	625	625
3VDB1834	18	34.5	21	674	674	666	666
3VDB2134	21	34.5	21	712	712	703	703
3VDB2434	24	34.5	21	756	756	746	746

VANITY KNEE DRAWER



VKD36	36	n/a	21	179	179	177	177
-------	----	-----	----	-----	-----	-----	-----

\*Can be trimmed to 24"



Item Description

W (inches)

H (inches)

D (inches)

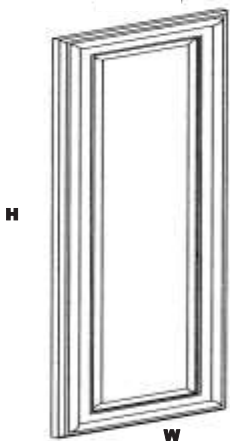
Charlotte

New Bern

Florence

Asheville

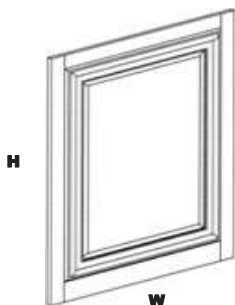
**WALL DECORATIVE END PANELS**



WDEP30	11.5	29		70	70	62	62
WDEP36	11.5	35		84	84	75	75
WDEP42	11.5	41		98	98	92	92

1/4" Veneer Skin required under panel for installation  
(Skins Not Included in Price)

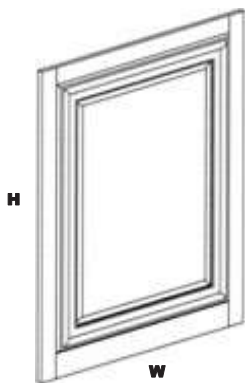
**BASE DECORATIVE END PANEL**



BDEP	23.5	29		140	140	124	124
------	------	----	--	-----	-----	-----	-----

1/4" Veneer Skin required under panel for installation  
(Skins Not Included in Price)

**TALL DECORATIVE END PANELS**



Bottom Panel



Top Panel

TDEP84	23.5			332	332	293	293
TDEP90	23.5			356	356	315	315
TDEP96	23.5			383	383	337	337

1/4" Veneer Skin required under panel for installation  
(Skins Not Included in Price)



Item Description

W (inches)

H (inches)

D (inches)

Charlotte

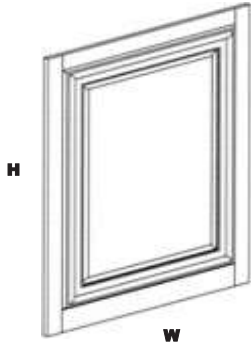
New Bern

Florence

Asheville

VANITY DECORATIVE END PANEL

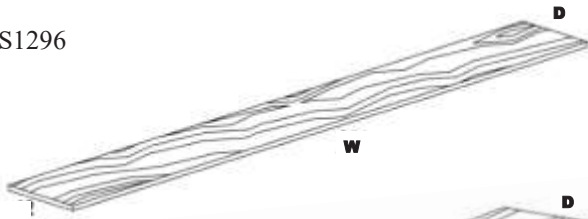
VDEPT	20.5	29	n/a	107	107	97	97
-------	------	----	-----	-----	-----	----	----



1/4" Veneer Skin required under panel for installation  
(Skins Not Included in Price)

SHELVING

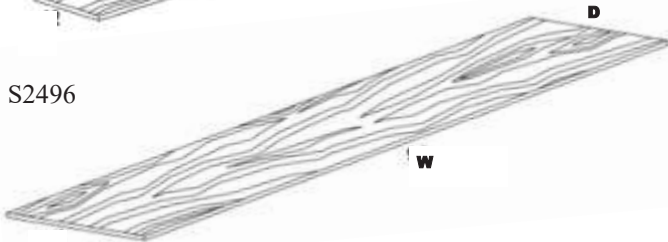
S1296



S1296	12	n/a	96	128	128	128	128
S2496	24	n/a	29	214	214	214	214

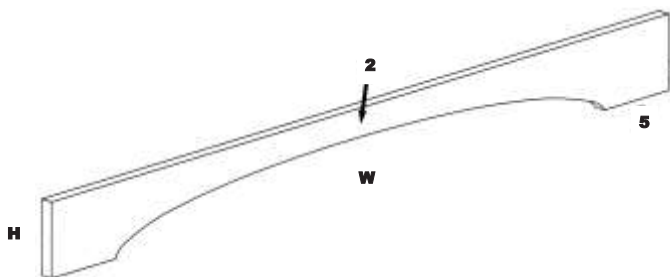
3/4" material  
2 sides and one edge finished

S2496



VALANCES ARCHED

VA36	36	5	n/a	40	40	40	40
VA48	48	5	n/a	50	50	50	50



3/4" material  
2 sides and 4 edges finished



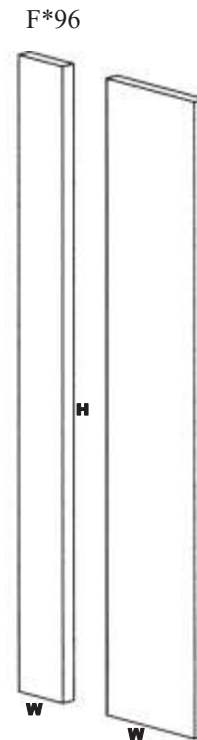
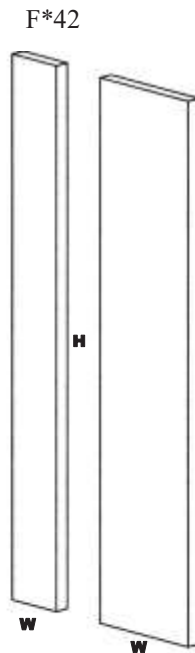
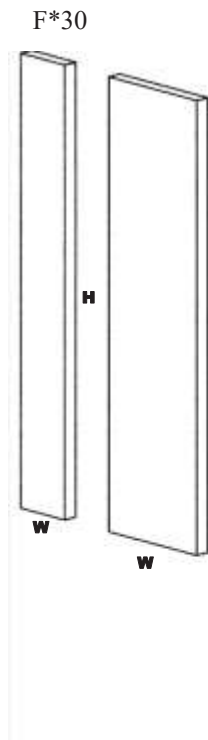
Item Description	W (inches)	H (inches)	D (inches)	Charlotte	New Bern	Florence	Asheville
------------------	------------	------------	------------	-----------	----------	----------	-----------

**FILLERS**

F330	3	30	n/a	20	20	20	20
F342	3	42	n/a	29	29	29	29
F396	3	96	n/a	58	58	58	58
F630	6	30	n/a	39	39	39	39
F642	6	42	n/a	50	50	50	50
F696	6	96	n/a	115	115	115	115

3/4" material

Finished on 1 side and 2 long edges



**FLUTED FILLER**

FF396	3	96	n/a	76	76	76	76
FF696	6	96	n/a	133	133	133	133

3/4" material

Finished on 1 side and 2 long edges





Item Description

W (inches)

H (inches)

D (inches)

Charlotte

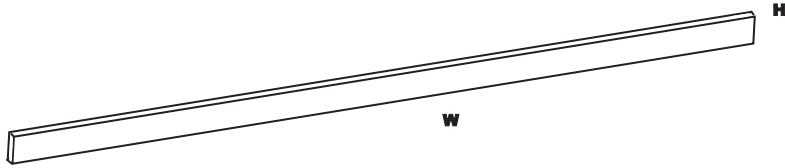
New Bern

Florence

Asheville

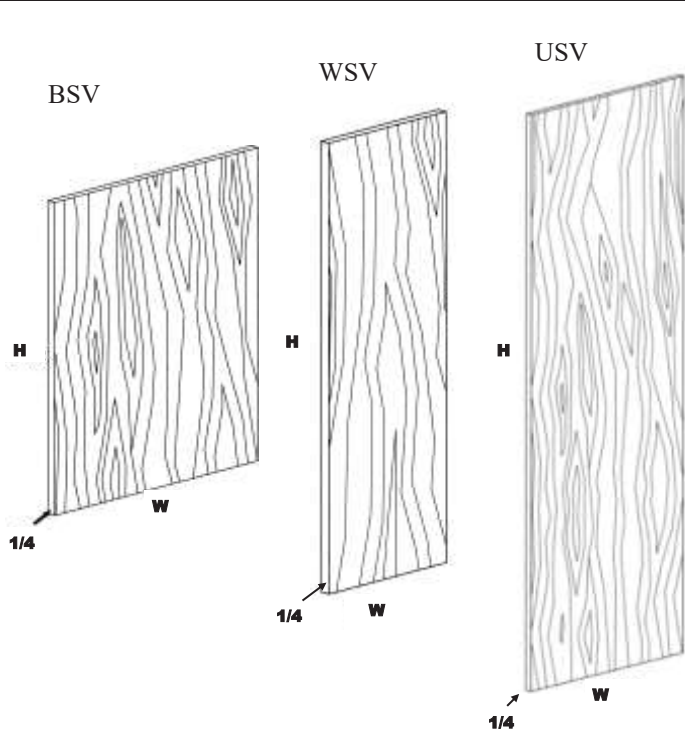
**TOEKICK COVER**

TKC	96	4.5	n/a	27	27	27	27
-----	----	-----	-----	----	----	----	----



1/4" material

**SKINS**

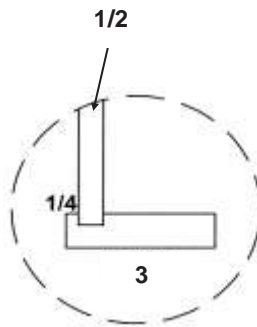
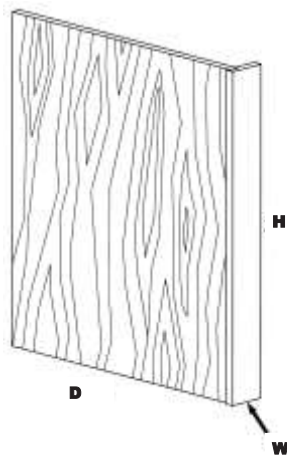


BSV	23.25	34.5	n/a	40	40	40	40
WSV30	11.25	30	n/a	18	18	18	18
WSV36	11.25	36	n/a	21	21	21	21
WSV42	11.25	42	n/a	24	24	24	24
USV2496	23.25	96	n/a	109	109	109	109

1/4" material  
Required for exposed ends

**DISHWASHER END PANEL**

DWEP3	3	35.4	24	87	87	87	87
-------	---	------	----	----	----	----	----



Completely Finished. No veneer skin required, unless a Decorative End Panel is applied.



Item Description

W (inches)

H (inches)

D (inches)

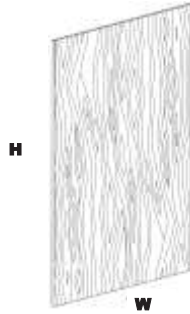
Charlotte

New Bern

Florence

Asheville

**FINISH PANEL VENEER 1/4"**



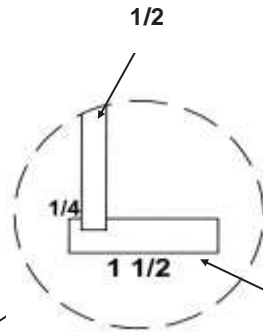
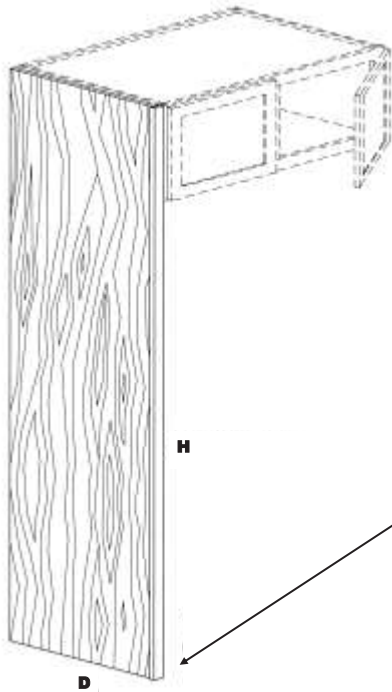
FPV4896	48	96	n/a	195	195	195	195
---------	----	----	-----	-----	-----	-----	-----

**REFIGERATOR END PANEL**

REP2496	n/a	96	24	191	191	191	191
---------	-----	----	----	-----	-----	-----	-----

WSV

Completely Finished. No veneer skin required.



May achieve a 3 inch reveal by purchasing a F396 DADO required additional \$25 charge.

Completely Finished. No veneer skin required unless a Decorative End Panel is being applied.

**TOUCH UP KITS**

TUK= (Touch Up Kit) Stain Paint Color Kit contains Touch Up Marker and Wood Filler Stick

GLZPEN= Glaze Pen

TUA= Touch Up Aerosol

TUK	-	-	-	86	86	86	86
GLZPEN	-	-	-	33	33	33	33
TUA	-	-	-	68	68	68	68



Item Description

Charlotte

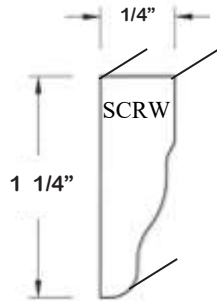
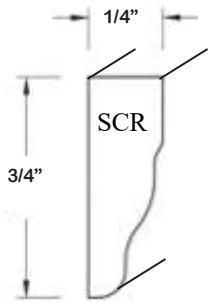
New Bern

Florence

Asheville

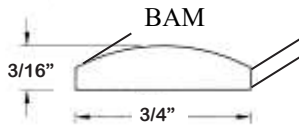
WOOD MOULDINGS

ALL MOULDINGS 8FT LONG

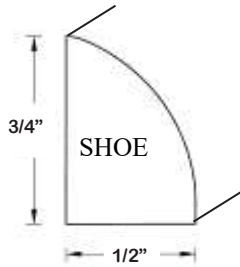


SCR (Scribe)	16	16	16	16
--------------	----	----	----	----

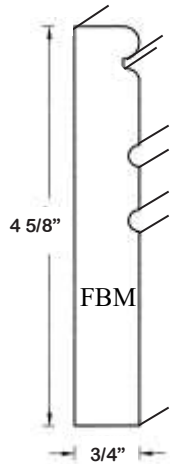
SCRW (Scribe Wide)	22	22	22	22
--------------------	----	----	----	----



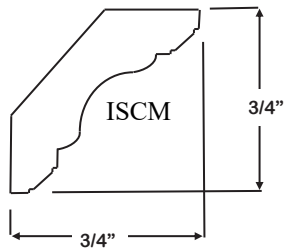
BAM (Batten)	12	12	12	12
--------------	----	----	----	----



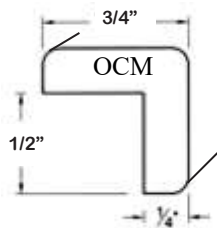
SHOE	22	22	22	22
------	----	----	----	----



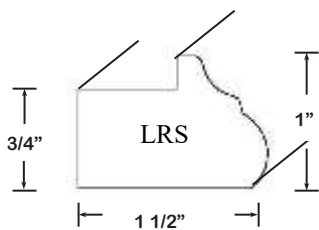
FBM	192	192	186	186
-----	-----	-----	-----	-----



ISCM (Inside Corner)	30	30	30	30
----------------------	----	----	----	----



OCM (Corner)	70	70	70	70
--------------	----	----	----	----



LRS	95	95	95	95
-----	----	----	----	----





Item Description

Charlotte

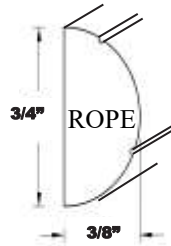
New Bern

Florence

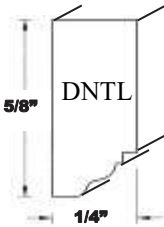
Asheville

WOOD MOULDINGS

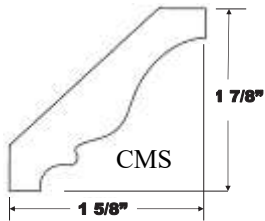
ALL MOULDINGS 8 FT LONG



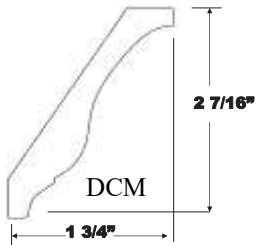
ROPE	22	22	N/A	N/A
------	----	----	-----	-----



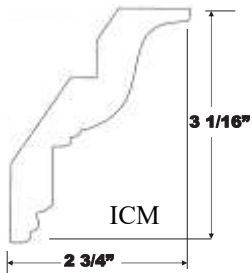
DNTL (Dentil)	22	22	N/A	N/A
---------------	----	----	-----	-----



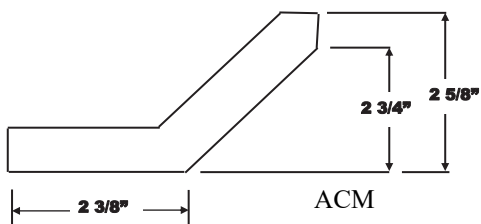
CMS (Crown)	93	93	82	82
-------------	----	----	----	----



DCM (Decorative Crown)	137	137	136	136
------------------------	-----	-----	-----	-----



ICM (Inset Crown)	180	180	179	179
-------------------	-----	-----	-----	-----



ACM (Angle Crown Moulding)	N/A	N/A	140	140
----------------------------	-----	-----	-----	-----



Item Description

Charlotte

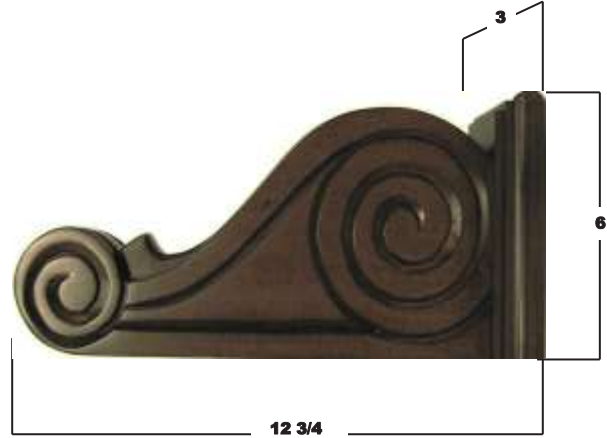
New Bern

Florence

Asheville

**CORBELS**

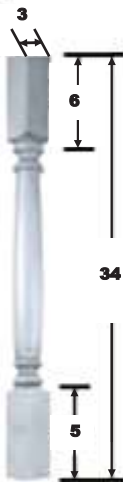
CORT	214	214	200	200
------	-----	-----	-----	-----



**DECORATIVE LEGS**

CL3 (CLASSIC)	236	236	206	206
---------------	-----	-----	-----	-----

CL3-SPLIT- \$50 net COST to cut the CL3 in half.



**BASE ROLLOUT SHELVES**



All prices are per single rollout shelf  
(Includes soft close drawer slides)

RS30U for 30 inch utility cabinet only

\*\*Contains two rollouts

RS12 8" tray size	172	172	172	172
RS15 11" tray size	180	180	180	180
RS18 14" tray size	188	188	188	188
RS21 17" tray size	195	195	195	195
RS24 19 1/2" tray size	202	202	202	202
RS27 22 1/2" tray size	215	215	215	215
RS30U 25 1/2" tray size	224	224	224	224
RS30** 11 5/8" tray size	363	363	363	363
RS33** 13 1/8" tray size	371	371	371	371
RS36** 14 5/8" tray size	378	378	378	378
RS39** 16 1/8" tray size	386	386	386	386
RS42** 17 5/8" tray size	394	394	394	394

**ORDER FORM: Raised Panel STYLE**

Charlotte  New Bern  Quote ONLY



Assembled (Floorplan Required)  
 Unassembled

Delivery  
 Pick Up

COMPANY NAME: \_\_\_\_\_  
 ADDRESS: \_\_\_\_\_  
 CITY: \_\_\_\_\_ STATE/ZIP: \_\_\_\_\_

DATE ORDERED: \_\_\_\_\_  
 PO NUMBER: \_\_\_\_\_  
 PHONE NUMBER: \_\_\_\_\_

DATE NEEDED: \_\_\_\_\_  
 JOB NUMBER: \_\_\_\_\_  
 ORDERED BY: \_\_\_\_\_

QTY	Item #	PAGE	LIST	Price
<b>12" WALL CABINETS</b>				
	W3012	15	\$197	
	W3312	15	\$221	
	W3612	15	\$223	
	W3912	15	\$236	
SUBTOTAL				
<b>15" WALL CABINETS</b>				
	W3015	15	\$224	
	W3315	15	\$248	
	W3615	15	\$252	
	W3915	15	\$268	
SUBTOTAL				
<b>18" WALL CABINETS</b>				
	W3018	15	\$240	
	W3318	15	\$268	
	W3618	15	\$283	
	W3918	15	\$299	
SUBTOTAL				
<b>24" WALL CABINETS</b>				
	W3024	15	\$321	
	W3324	15	\$360	
	W3624	15	\$367	
	W3924	15	\$390	
SUBTOTAL				
<b>30" WALL CABINETS</b>				
	W3930	15	\$177	
	W1230	15	\$207	
	W1530	15	\$236	
	W1830	15	\$265	
	W2130	15	\$294	
	W2490B	15	\$328	
	W2730B	15	\$355	
	W3030	15	\$392	
	W3330	15	\$422	
	W3630	15	\$450	
	W3930	15	\$480	
	W4230	15	\$509	
	WBC3030	17	\$346	
	WBC3630	17	\$408	
	DCW2430	18	\$393	
SUBTOTAL				
<b>36" WALL CABINETS</b>				
	W3936	14	\$198	
	W1236	14	\$232	
	W1536	14	\$266	
	W1836	14	\$298	
	W2136	14	\$328	
	W2496B	14	\$370	
	W2736B	14	\$406	
	W3036	14	\$444	
	W3336	14	\$478	
	W3636	14	\$510	
	W3936	14	\$502	
	W4236	14	\$554	
	WBC3036	17	\$389	
	WBC3636	17	\$461	
	DCW2436	18	\$437	
SUBTOTAL				
<b>42" WALL CABINETS</b>				
	W3942	14	\$240	
	W1242	14	\$288	
	W1542	14	\$329	
	W1842	14	\$368	
	W2142	14	\$411	
	W2442B	14	\$450	
	W2742B	14	\$500	
	W3042	14	\$539	
	W3342	14	\$579	
	W3642	14	\$619	
	W3942	14	\$697	
	W4242	14	\$748	
	WBC3042	17	\$453	
	WBC3642	17	\$536	
	DCW2442	18	\$513	
SUBTOTAL				

QTY	Item #	PAGE	LIST	Price
<b>15" DEEP WALL CABINETS</b>				
	DCW273015	18	\$445	
	DCW273615	18	\$493	
	DCW274215	18	\$584	
SUBTOTAL				
<b>24" DEEP WALL CABINETS</b>				
	W331224	16	\$276	
	W331524	16	\$315	
	W331824	16	\$336	
	W332424	16	\$465	
	W361224	16	\$294	
	W361524	16	\$315	
	W361824	16	\$348	
	W362424	16	\$487	
	W391524	16	\$333	
	W391824	16	\$366	
	W392424	16	\$486	
SUBTOTAL				
<b>BASE CABINETS</b>				
	BFHD9	19	\$220	
	B12	19	\$360	
	B15	19	\$393	
	B18	19	\$427	
	B21	19	\$461	
	B24B	19	\$499	
	B27B	19	\$533	
	B30	19	\$662	
	B33	19	\$696	
	B36	19	\$730	
	B39	19	\$763	
	B42	19	\$798	
	B530	20	\$488	
	B533	20	\$531	
	B536	20	\$564	
	B542	20	\$628	
	BBC36	22	\$493	
	BBC42	22	\$605	
	CB39	21	\$404	
	CB36	21	\$564	
	LSPOLY28/2	21	\$364	
	LSWOOD28/2	21	\$834	
	3DB12	19	\$581	
	3DB15	19	\$654	
	3DB18	19	\$701	
	3DB21	19	\$746	
	3DB24	19	\$793	
	3DB27	19	\$839	
	3DB30	19	\$895	
	3DB36	19	\$976	
	D5F42	20	\$227	
	SFF4242	20	\$142	
	WB15W	22	\$628	
	WB18W-2	22	\$660	
	FD18	22	\$486	
	PB36	20	\$942	
SUBTOTAL				
<b>UTILITY &amp; OVEN CABINETS</b>				
	U188424	23	\$868	
	U189024	23	\$917	
	U189624	23	\$968	
	U248424B	23	\$1,092	
	U249024B	23	\$1,154	
	U249624B	23	\$1,216	
	U308424B	23	\$1,317	
	U309024B	23	\$1,391	
	U309624B	23	\$1,464	
	O338424	23	\$1,589	
	O339024	23	\$1,672	
	O339624	23	\$1,731	
SUBTOTAL				
<b>SPECIALTY CABINETS</b>				
	DWH36	18	\$2,544	
	DWH42	18	\$3,052	
	WRC2430	18	\$176	
	WRC3618	18	\$168	
SUBTOTAL				

QTY	Item #	PAGE	LIST	Price
<b>WOOD MOLDINGS</b>				
	ACM	33	N/A	
	BAM	32	\$12	
	CL3	34	\$236	
	CM5	33	\$93	
	CORT	34	\$214	
	DOM	33	\$137	
	DNTL	33	\$22	
	FBM	32	\$192	
	ICM	33	\$180	
	ISOM	32	\$30	
	LRS	32	\$95	
	OCM	32	\$70	
	ROPE	33	\$22	
	SCR	32	\$16	
	SORW	32	\$22	
	SHOE	32	\$22	
SUBTOTAL				
<b>VANITY CABINETS</b>				
	V52434B	25	\$340	
	V52734B	25	\$367	
	V53034	25	\$399	
	V53334	25	\$425	
	V53634	25	\$450	
	V54034	25	\$567	
	V5D3634	25	\$626	
	V5D4234	25	\$682	
	V5D4834	25	\$743	
	VB1234	26	\$339	
	VB1534	26	\$364	
	VB1834	26	\$404	
	VB2134	26	\$471	
	3VDB1234	26	\$586	
	3VDB1534	26	\$629	
	3VDB1834	26	\$674	
	3VDB2134	26	\$712	
	3VDB2434	26	\$756	
	VKD36	26	\$179	
SUBTOTAL				
<b>VANITY SINK BASE CABINET COMBOS</b>				
	VSB36DL	24	\$786	
	VSB36DR	24	\$786	
	VSB42DL	24	\$1,000	
	VSB42DR	24	\$1,000	
	VSB48DLR	24	\$1,383	
	VSB60DC	24	\$1,475	
SUBTOTAL				
<b>ADHESIVE (PRICE NOT LIST)</b>				
	LKMEL-P	N/A	\$7.05	
	LKMEL-G	N/A	\$31.10	
	LOK745A(14.2 oz)	N/A	\$9.45	
SUBTOTAL				

QTY	Item #	PAGE	LIST	Price
<b>ACCESSORIES</b>				
	BOEP	27	\$140	
	BSV	30	\$40	
	DWEP3	30	\$87	
	F330	29	\$20	
	F342	29	\$29	
	F396	29	\$58	
	F630	29	\$39	
	F642	29	\$50	
	F696	29	\$115	
	FF396	29	\$76	
	FF696	29	\$133	
	FPV4896	31	\$195	
	REP2496	31	\$191	
	RS12	34	\$172	
	RS15	34	\$180	
	RS18	34	\$188	
	RS21	34	\$195	
	RS24	34	\$202	
	RS27	34	\$215	
	RS30	34	\$263	
	RS30U	34	\$224	
	RS33	34	\$371	
	RS36	34	\$378	
	RS39	34	\$386	
	RS42	34	\$394	
	S1296	28	\$128	
	S2496	28	\$214	
	TDEPB4	27	\$332	
	TDEP90	27	\$356	
	TDEP96	27	\$383	
	TKC	30	\$27	
	USV2496	30	\$109	
	VA36	28	\$40	
	VA48	28	\$50	
	VDEPT	28	\$107	
	WDEP30	27	\$70	
	WDEP36	27	\$84	
	WDEP42	27	\$98	
	WSV30	30	\$18	
	WSV36	30	\$21	
	WSV42	30	\$24	
SUBTOTAL				
<b>TOUCH UP KITS</b>				
	TUK-C	31	\$86	
	TUK-N	31	\$86	
	GLZPEN-C	31	\$33	
	GLZPEN-N	31	\$33	
	TUAC	31	\$68	
	TUAN	31	\$68	
SUBTOTAL				

TOTAL LIST PRICE: \$ -

(x) MULTIPLIER: \$ -

SUBTOTAL: \$ -

SPECIAL CHARGES: \$ -

FREIGHT: \$ -

TOTAL PRICE: \$ -

Notes/Comments:

E-MAIL ORDERS TO: CHCorders@web-don.com or FAX to: 704-334-3342  
 Delivery Fees: \$25 per order for Flat Pack, \$8 per box for Assembled, and \$12 per box for Assembled Jobsite Delivery



**ORDER FORM: Shaker Panel STYLE**

Florence

Asheville

Quote ONLY

Assembled (Floorplan Required)

Delivery

Unassembled

Pick Up



COMPANY NAME: \_\_\_\_\_

DATE ORDERED: \_\_\_\_\_

DATE NEEDED: \_\_\_\_\_

ADDRESS: \_\_\_\_\_

PO NUMBER: \_\_\_\_\_

JOB NUMBER: \_\_\_\_\_

QTY: \_\_\_\_\_ STATE/ZIP: \_\_\_\_\_

PHONE NUMBER: \_\_\_\_\_

ORDERED BY: \_\_\_\_\_

QTY	Item #	PAGE	LIST	Price
<b>12" WALL CABINETS</b>				
	W3912	15	\$189	
	W3312	15	\$202	
	W3612	15	\$214	
	W3912	15	\$226	
SUBTOTAL				
<b>15" WALL CABINETS</b>				
	W3015	15	\$214	
	W3315	15	\$228	
	W3615	15	\$242	
	W3915	15	\$257	
SUBTOTAL				
<b>18" WALL CABINETS</b>				
	W3018	15	\$238	
	W3318	15	\$254	
	W3618	15	\$269	
	W3918	15	\$286	
SUBTOTAL				
<b>24" WALL CABINETS</b>				
	W3024	15	\$306	
	W3324	15	\$328	
	W3624	15	\$350	
	W3924	15	\$372	
SUBTOTAL				
<b>30" WALL CABINETS</b>				
	W3930	15	\$173	
	W1230	15	\$201	
	W1530	15	\$228	
	W1830	15	\$257	
	W2130	15	\$283	
	W24980D	15	\$315	
	W27308D	15	\$341	
	W3030	15	\$376	
	W3330	15	\$403	
	W3630	15	\$431	
	W3930	15	\$458	
	W4230	15	\$486	
	WBC3030	17	\$335	
	WBC3630	17	\$395	
	DCW2430	18	\$390	
SUBTOTAL				
<b>36" WALL CABINETS</b>				
	W3936	14	\$193	
	W1236	14	\$225	
	W1536	14	\$257	
	W1836	14	\$288	
	W2136	14	\$318	
	W24980D	14	\$348	
	W27368D	14	\$418	
	W3036	14	\$425	
	W3336	14	\$456	
	W3636	14	\$487	
	W3936	14	\$538	
	W4236	14	\$585	
	WBC3036	17	\$375	
	WBC3636	17	\$448	
	DCW2436	18	\$432	
SUBTOTAL				
<b>42" WALL CABINETS</b>				
	W3942	14	\$244	
	W1242	14	\$281	
	W1542	14	\$319	
	W1842	14	\$356	
	W2142	14	\$396	
	W24428D	14	\$433	
	W27428D	14	\$480	
	W3042	14	\$517	
	W3342	14	\$554	
	W3642	14	\$592	
	W3942	14	\$639	
	W4242	14	\$671	
	WBC3042	17	\$437	
	WBC3642	17	\$517	
	DCW2442	18	\$508	
SUBTOTAL				

QTY	Item #	PAGE	LIST	Price
<b>15" DEEP WALL CABINETS</b>				
	DCW273015	18	\$441	
	DCW273615	18	\$484	
	DCW274215	18	\$576	
SUBTOTAL				
<b>24" DEEP WALL CABINETS</b>				
	W331224	16	\$258	
	W391524	16	\$291	
	W331824	16	\$312	
	W332424	16	\$432	
	W361224	16	\$275	
	W361524	16	\$305	
	W361824	16	\$338	
	W362424	16	\$456	
	W391524	16	\$324	
	W391824	16	\$365	
	W392424	16	\$483	
SUBTOTAL				
<b>BASE CABINETS</b>				
	BFHD9	19	\$214	
	B12	19	\$353	
	B15	19	\$389	
	B18	19	\$418	
	B21	19	\$448	
	B24BD	19	\$484	
	B27BD	19	\$516	
	B30	19	\$644	
	B33	19	\$677	
	B36	19	\$708	
	B39	19	\$739	
	B42	19	\$772	
	B30	20	\$461	
	B33	20	\$491	
	B36	20	\$520	
	B39	20	\$579	
	BBC36	22	\$467	
	BBC42	22	\$574	
	CB33	21	\$487	
	CB36	21	\$553	
	LSPOLY 28/2	21	\$364	
	LSWOOD 28/2	21	\$834	
	30B12	19	\$574	
	30B15	19	\$649	
	30B18	19	\$695	
	30B21	19	\$738	
	30B24	19	\$784	
	30B27	19	\$827	
	30B30	19	\$872	
	30B36	19	\$959	
	DSF42	20	\$192	
	SFF4242	20	\$143	
	WB15W	22	\$628	
	WB18W-2	22	\$660	
	FD18	22	\$477	
	PB36	20	\$889	
SUBTOTAL				
<b>UTILITY &amp; OVEN CABINETS</b>				
	U189424	23	\$809	
	U189024	23	\$895	
	U189624	23	\$940	
	U248424BD	23	\$1,078	
	U249024BD	23	\$1,136	
	U249624BD	23	\$1,197	
	U308424BD	23	\$1,282	
	U309024BD	23	\$1,372	
	U309624BD	23	\$1,396	
	O338424	23	\$1,538	
	O339024	23	\$1,639	
	O339624	23	\$1,694	
SUBTOTAL				
<b>SPECIALTY CABINETS</b>				
	DWH36	18	\$2,485	
	DWH42	18	\$3,019	
	WRC2430	18	\$174	
	WRC3618	18	\$166	
SUBTOTAL				

QTY	Item #	PAGE	LIST	Price
<b>WOOD MOLDINGS</b>				
	ACM	33	\$140	
	BAM	32	\$12	
	CL3	34	\$206	
	CM5	33	\$82	
	CORT	34	\$200	
	DOM	33	\$136	
	DRTL	33	N/A	
	FBM	32	\$186	
	IQM	33	\$179	
	ISCM	32	\$30	
	LRS	32	\$95	
	OCM	32	\$70	
	ROPE	33	N/A	
	SCR	32	\$16	
	SCRW	32	\$22	
	SHOE	32	\$22	
SUBTOTAL				
<b>VANITY CABINETS</b>				
	VS2434BD	25	\$323	
	VS2734BD	25	\$348	
	VS3034	25	\$376	
	VS3334	25	\$401	
	VS3634	25	\$425	
	VS4234	25	\$536	
	VSD3634	25	\$602	
	VSD4234	25	\$655	
	VSD4834	25	\$713	
	VB1234	26	\$333	
	VB1534	26	\$372	
	VB1834	26	\$394	
	VB2134	26	\$444	
	3VDB1234	26	\$581	
	3VDB1534	26	\$625	
	3VDB1834	26	\$666	
	3VDB2134	26	\$703	
	3VDB2434	26	\$746	
	VKD36	26	\$177	
SUBTOTAL				
<b>VANITY SINK BASE CABINET COMBOS</b>				
	VSB36DL	24	\$741	
	VSB36DR	24	\$741	
	VSB42DL	24	\$951	
	VSB42DR	24	\$951	
	VSB48DLR	24	\$1,119	
	VSB60DC	24	\$1,400	
SUBTOTAL				
<b>ADHESIVE (PRICE NOT LIST)</b>				
	LOKMEI-P	N/A	\$7.05	
	LOKMEI-G	N/A	\$31.10	
	LOK74DA(14.2 oz)	N/A	\$9.45	
SUBTOTAL				

QTY	Item #	PAGE	LIST	Price
<b>ACCESSORIES</b>				
	BDEP	27	\$124	
	B5V	30	\$40	
	DNPEP3	30	\$87	
	F330	29	\$20	
	F342	29	\$29	
	F396	29	\$58	
	F630	29	\$39	
	F642	29	\$50	
	F696	29	\$115	
	FF396	29	\$76	
	FF696	29	\$133	
	FPV4896	31	\$195	
	REP2496	31	\$191	
	RS12	34	\$172	
	RS15	34	\$180	
	RS18	34	\$188	
	RS21	34	\$195	
	RS24	34	\$202	
	RS27	34	\$215	
	RS30	34	\$233	
	RS30U	34	\$224	
	RS33	34	\$271	
	RS36	34	\$278	
	RS39	34	\$286	
	RS42	34	\$294	
	S1296	28	\$128	
	S2486	28	\$214	
	TDEP84	27	\$293	
	TDEP90	27	\$315	
	TDEP96	27	\$337	
	TKC	30	\$27	
	USV2486	30	\$109	
	VA36	28	\$40	
	VA48	28	\$50	
	VDEPT	28	\$97	
	WDEP30	27	\$62	
	WDEP36	27	\$75	
	WDEP42	27	\$92	
	W3V30	30	\$18	
	W3V36	30	\$21	
	W3V42	30	\$24	
SUBTOTAL				
<b>TOUCH UP KITS</b>				
	TUK-F	31	\$86	
	TUK-A	31	\$86	
	GLZPEN-C	31	\$33	
	GLZPEN-N	31	\$33	
	TUAF	31	\$68	
	TUAA	31	\$68	
SUBTOTAL				

TOTAL LIST PRICE: \$ -

(x) MULTIPLIER: \$ -

SUBTOTAL: \$ -

SPECIAL CHARGES: \_\_\_\_\_

FREIGHT: \_\_\_\_\_

TOTAL PRICE: \$ -

Notes/Comments:

E-MAIL ORDERS TO: CHCorders@web-don.com or FAX to: 704-334-3342  
 Delivery Fees: \$25 per order for Flat Pack, \$8 per box for Assembled, and \$12 per box for Assembled Jobsite Delivery







[www.CarolinaHeartwoodCabinetry.com](http://www.CarolinaHeartwoodCabinetry.com)

**Web-Don, Inc.**  
1400 Ameron Drive  
Charlotte, NC 28206  
704-375-0250  
1-800-532-0434  
FAX 704-334-3342

**Web-Don, Inc.**  
3315 Merchant Court  
Wilmington, NC 28405  
910-794-6909  
1-800-532-0434  
FAX 704-334-3342

**Web-Don, Inc.**  
2728-148 Capital Blvd  
Raleigh, NC 27604  
919-831-3526  
1-800-532-0434  
FAX 704-334-3342

**Web-Don, Inc.**  
2820 Shop Road  
Columbia, SC 29209  
803-695-1456  
1-800-532-0434  
FAX 704-334-3342

**Web-Don, Inc.**  
4215 N Patterson Ave  
Winston-Salem, NC 27105  
336-767-8800  
1-800-532-0434  
FAX 704-334-3342

**Web-Don, Inc.**  
216 Industrial Park Road  
Piney Flats, TN 37686  
423-538-1199  
1-800-532-0434  
FAX 704-334-3342